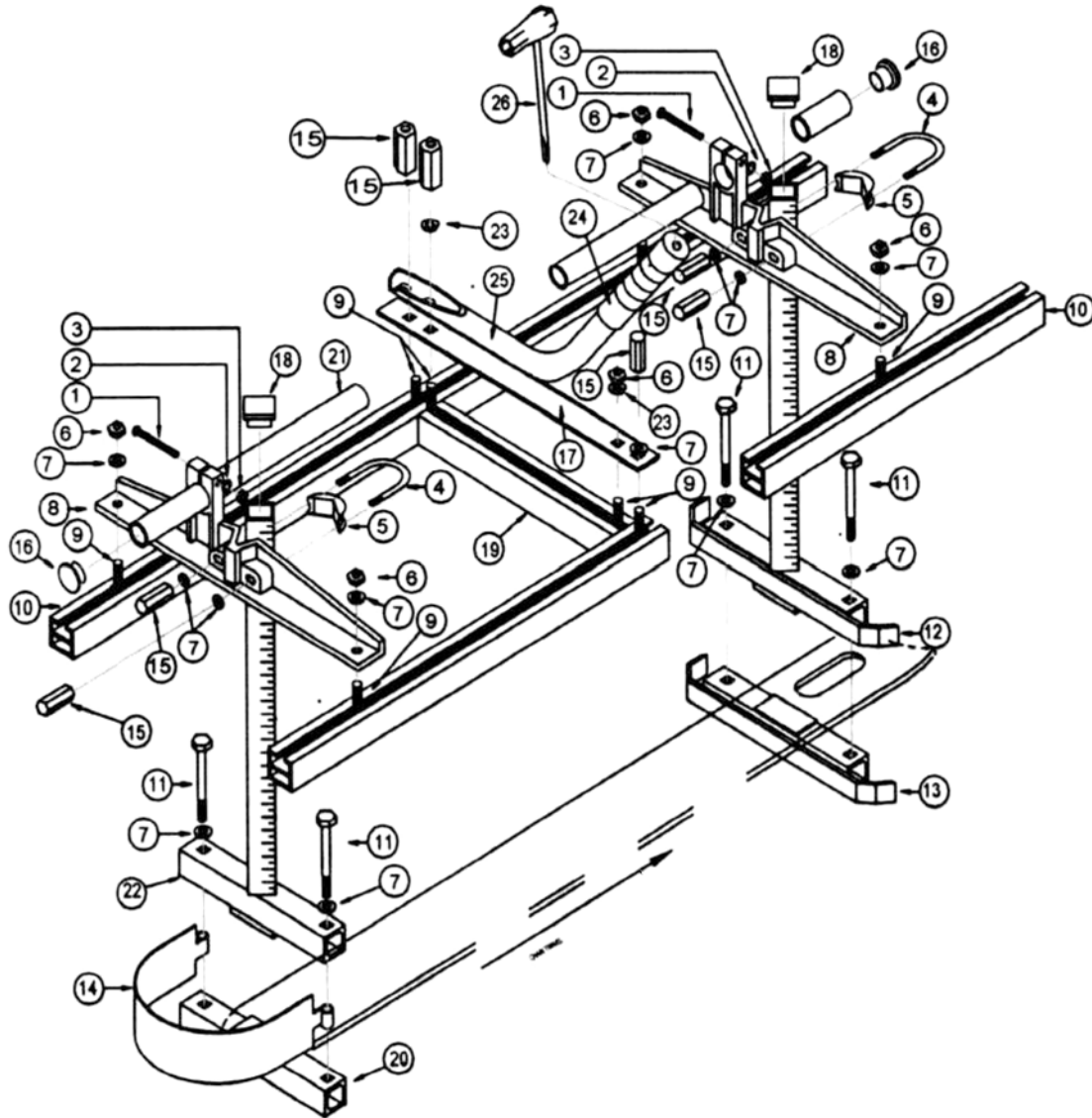


Granberg G776 Alaskan MK III Parts List



Item #	Our Part #	Qty	Description
1	920P-809	2	PAN HEAD SCREW 10-32
2	920P-323	2	NO LONGER USED
3	920P-935	2	HEX HEAD LOCK NUT 10-32
4	920P-1794	2	U-CLAMP 5/16-18
5	920P-804	2	POST CLAMP
6	920P-684	6	HEX NUT 5/16-18
7	920P-871	15	FLAT WASHER 5/16
8	920P-782	2	END BRACKET
9	920P-805	8	CARRIAGE BOLT 5/16-18X3/4
10	920P-781-2	2	THICKNESS RAIL G-776-24
	920P-781-3	2	THICKNESS RAIL G-776-30
	920P-781-4	2	THICKNESS RAIL G-776-36
	920P-781-5	2	THICKNESS RAIL G-776-48
	920P-781-6	2	THICKNESS RAIL G-776-56
	11	920P-779	4
12	920P-791	1	ADJUSTMENT POST - THRUST END
13	920P-790	1	CLAMP BRACKET THRUST END

Item #	Our Part #	Qty	Description
14	920P-795	1	NOSE GUARD
15	920P-702	7	COUPLING NUT 5/16-18
16	920P-785	2	END CAP - HANDLE
17	920P-784	1	TIE BAR
18	920P-778	2	END CAP - RISER POST
19	920P-799	1	ON-OFF GUIDE BAR
20	920P-788	1	CLAMP BRACKET - NOSE END
21	920P-793-1	1	HANDLE G-776-24
	920P-793-2	1	HANDLE G-776-30
	920P-793-3	1	HANDLE G-776-36
	920P-793-4	1	HANDLE G-776-48
	920P-793-5	1	HANDLE G-776-56
22	920P-792	1	ADJUSTMENT POST - NOSE END
23	920P-685	2	LOCKWASHER
24	920P-874	1	GRIP
25	920P-596	1	HANDLE
26	920P-703	1	WRENCH