

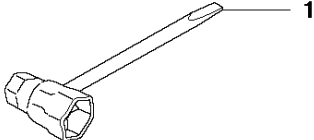


SPARE PARTS LIST

CHAIN SAWS

135 from 2011-08 -

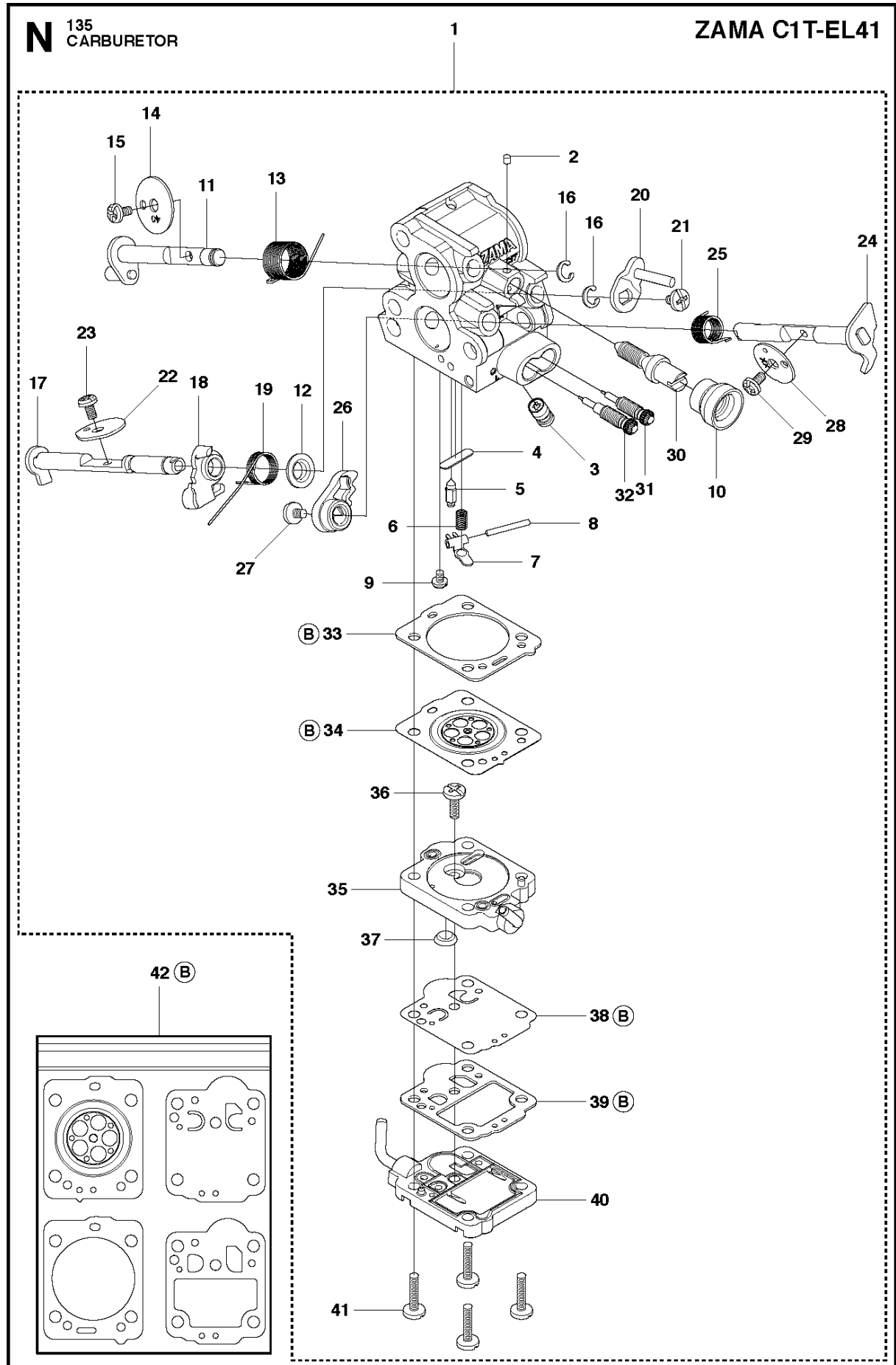
P 135
ACCESSORIES



ACCESSORIES

135 from 2011-08 -

| Ref | Part No | Description | Remark | QTY KIT |
|-----|--------------|-------------|--------|---------|
| 1 | 503 55 85-04 | TOOL | Tool | 1 |

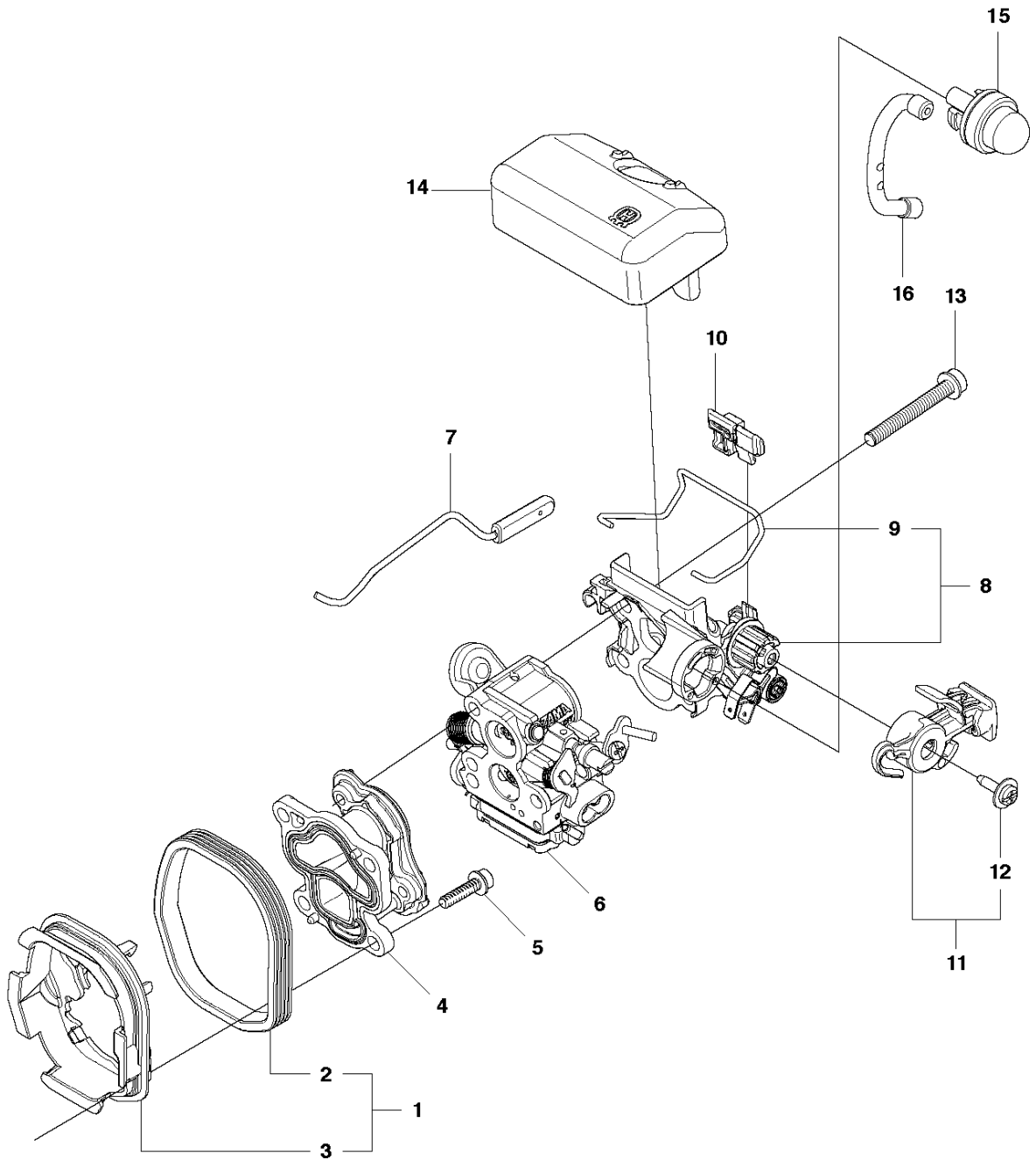


CARBURETOR

135 from 2011-08 -

| Ref | Part No | Description | Remark | QTY | KIT |
|-----|--------------|---------------------|--------------------|-----|-------|
| 1 | 506 45 05-01 | CARBURETTOR | Zama C1T-EL41 | 1 | |
| 2 | 503 48 11-01 | PIECE | Piece | 1 | 1 |
| 3 | 504 02 40-01 | NOZZLE ASSY | Nozzle assy | 1 | 1 |
| 4 | 503 53 56-01 | PLUG WELCH | Plug welch | 1 | 1 |
| 5 | 503 47 97-01 | VALVE | Valve | 1 | 1 |
| 6 | 537 02 03-01 | SPRING | Spring | 1 | 1 |
| 7 | 503 66 59-01 | LEVER | Lever | 1 | 1 |
| 8 | 503 48 00-01 | PIN RETAINING SCREW | Pin retaning screw | 1 | 1 |
| 9 | 504 02 41-01 | SCREW | Screw | 1 | 1 |
| 10 | 505 53 52-01 | HUB CAP | Cap | 1 | 1 |
| 11 | 504 02 61-01 | SHAFT ASSY | Shaft assy | 1 | 1 |
| 12 | 505 11 07-01 | COLLAR | Collar | 1 | 1 |
| 13 | 504 02 85-01 | SPRING | Spring | 1 | 1 |
| 14 | 504 02 75-01 | VALVE | Valve | 1 | 1 |
| 15 | 503 48 18-01 | SCREW | Screw | 2 | 1 |
| 16 | 504 02 67-01 | CIRCLIP | Circlip | 2 | 1 |
| 17 | 504 02 62-01 | SHAFT ASSY | Shaft assy | 1 | 1 |
| 18 | 540 05 37-01 | LEVER | Lever | 1 | 1 |
| 19 | 504 02 83-01 | SPRING | Spring | 1 | 1 |
| 20 | 504 02 63-01 | LEVER | Lever | 1 | 1 |
| 21 | 503 47 90-01 | SCREW | Screw | 2 | 1 |
| 22 | 504 02 74-01 | VALVE | Valve | 1 | 1 |
| 23 | 503 48 18-01 | SCREW | Screw | 2 | 1 |
| 24 | 504 02 60-01 | SHAFT ASSY | Shaft assy | 1 | 1 |
| 25 | 504 02 84-01 | SPRING | Spring | 1 | 1 |
| 26 | 544 98 31-01 | LEVER | Lever | 1 | 1 |
| 27 | 503 47 90-01 | SCREW | Screw | 2 | 1 |
| 28 | 504 02 76-01 | VALVE | Valve | 1 | 1 |
| 29 | 503 47 92-01 | SCREW | Screw | 1 | 1 |
| 30 | 504 02 73-01 | SCREW | Screw | 1 | 1 |
| 31 | 504 90 92-01 | SCREW | Screw | 1 | 1 |
| 32 | 504 02 81-01 | SCREW | Screw | 1 | 1 |
| 33 | 504 02 43-01 | GASKET | Gasket | 1 | 1, 42 |
| 34 | 504 02 45-01 | DIAPHRAGM | Diaphragm | 1 | 1, 42 |
| 35 | 504 02 46-01 | BODY | Body | 1 | 1 |
| 36 | 504 02 82-01 | SCREW | Screw | 1 | 1 |
| 37 | 504 02 50-01 | STRAINER | Strainer | 1 | 1 |
| 38 | 504 02 56-01 | DIAPHRAGM | Diaphragm | 1 | 1, 42 |
| 39 | 504 02 57-01 | GASKET | Gasket | 1 | 1, 42 |
| 40 | 504 02 59-01 | COVER | Cover | 1 | 1 |
| 41 | 504 02 78-01 | SCREW | Screw | 4 | 1 |
| 42 | 504 02 86-01 | GASKET KIT | Set of gaskets | 1 | |

G 135
CARBURETOR & AIR FILTER

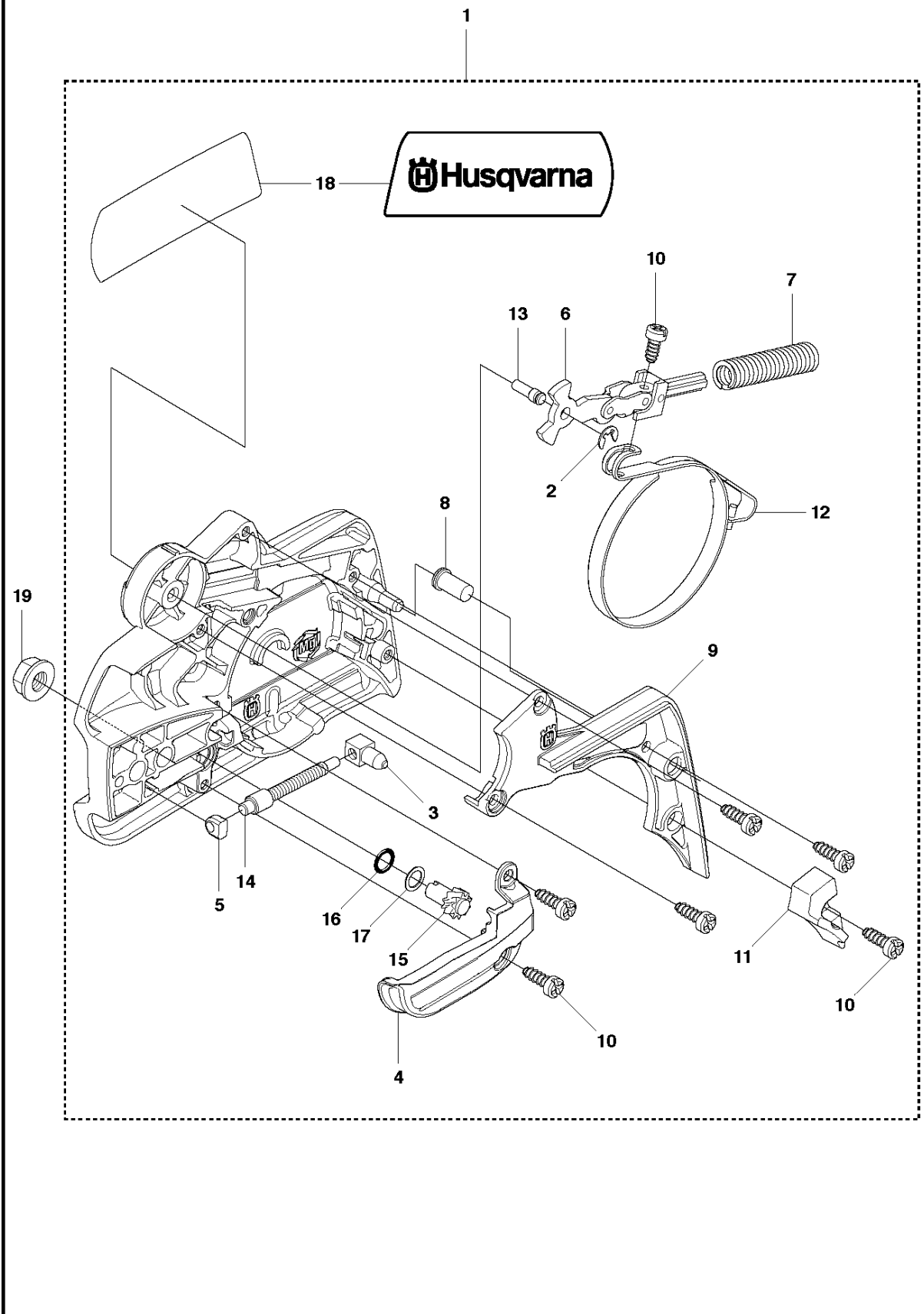


CARBURETOR & AIR FILTER

135 from 2011-08 -

| Ref | Part No | Description | Remark | QTY | KIT |
|-----|--------------|-------------------|-----------------------------|-----|-----|
| 1 | 504 72 47-01 | INSULATION WALL | Insulation wall assy | 1 | |
| 2 | 504 72 45-01 | INSULATION WALL | Insulation wall rubber | 1 | 1 |
| 3 | 504 72 44-01 | INSULATION WALL | Inulation wall plastic | 1 | 1 |
| 4 | 504 20 12-01 | INLET PIPE | Inlet pipe | 1 | |
| 5 | 503 20 02-16 | SCREW IHSCFM | Screw | 4 | |
| 6 | 506 45 05-01 | CARBURETTOR | Carburettor | 1 | |
| 7 | 544 28 44-01 | THROTTLE ROD ASSY | Throttle rod assy | 1 | |
| 8 | 544 97 64-01 | FILTER HOLDER | Filter holder assy | 1 | |
| 9 | 544 39 26-01 | SHACKLE | Shackle | 1 | 8 |
| 10 | 504 71 25-01 | GUIDE | Guide sliding shoe | 1 | |
| 11 | 544 84 43-02 | CONTROL | Control assy | 1 | |
| 12 | 544 97 66-01 | SCREW | Screw | 1 | 11 |
| 13 | 503 20 02-40 | SCREW IHSCFM | Screw | 3 | |
| 14 | 544 80 54-02 | AIR FILTER | Air filter assy (44 micron) | 1 | |
| 14 | 544 80 54-03 | AIR FILTER | Air filter assy (felt) | 1 | |
| 15 | 503 93 66-01 | PRIMER HOUSING | Air purge | 1 | |
| 16 | 544 40 19-01 | HOSE | Hose, airpurge suction | 1 | |

A 135
CHAIN BRAKE & CLUTCH COVER

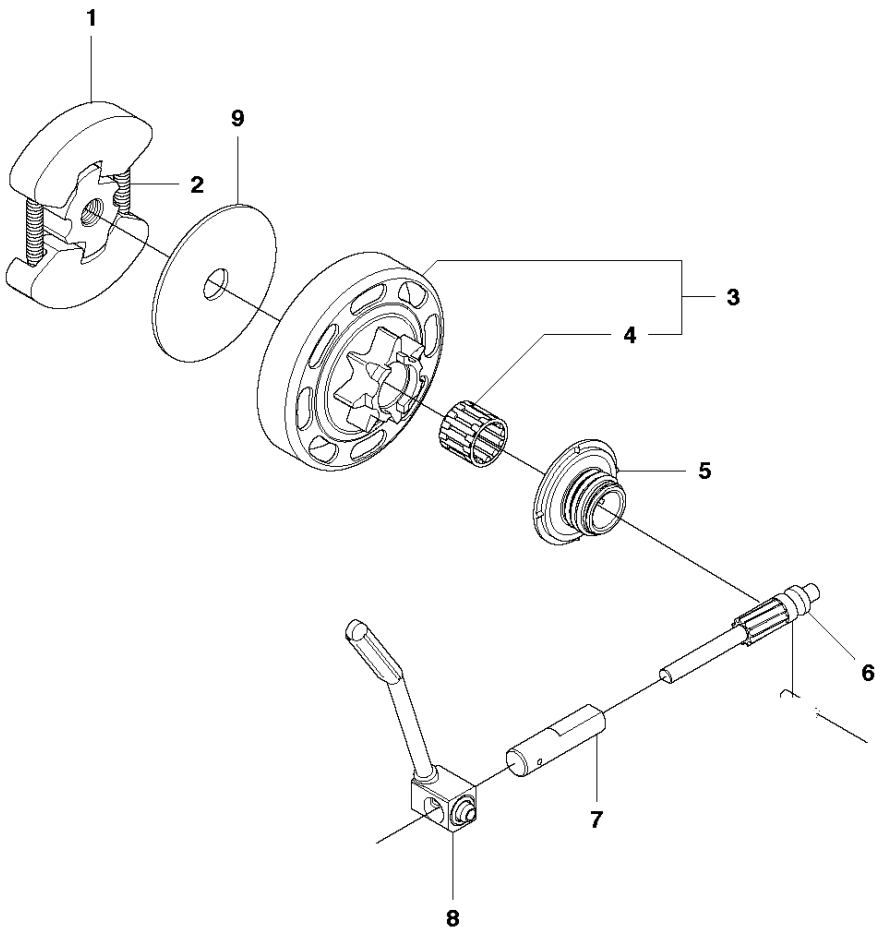


CHAIN BRAKE & CLUTCH COVER

135 from 2011-08 -

| Ref | Part No | Description | Remark | QTY KIT | |
|-----|--------------|-------------------|---------------------|---------|---|
| 1 | 501 38 82-01 | CLUTCH COVER ASSY | Clutch cover assy | | |
| 2 | 735 31 08-20 | E-CLIP | E-clip | 1 | 1 |
| 3 | 537 28 66-01 | PAWL | Pawl | 1 | 1 |
| 4 | 540 06 33-01 | CHAIN GUIDE | Chain guide | 1 | 1 |
| 5 | 537 01 74-01 | BEARING SLEEVE | Bearing sleeve | 1 | 1 |
| 6 | 503 89 08-02 | KNEE JOINT ASSY | Knee joint | 1 | 1 |
| 7 | 505 89 26-01 | BRAKE SPRING | Brake spring | 1 | 1 |
| 8 | 503 85 52-01 | GUIDE BUSHING | Guide bushing | 1 | 1 |
| 9 | 544 24 85-01 | COVER LID | Cover lid | 1 | 1 |
| 10 | 503 21 70-10 | SCREW CCRPANT | Screw | 7 | 1 |
| 11 | 544 25 31-01 | WEAR PROTECTION | Wear protection | 1 | 1 |
| 12 | 544 30 60-01 | BRAKE BAND ASSY | Brake band assy | 1 | 1 |
| 13 | 503 89 29-01 | PIN KNEE-JOINT | Pin | 1 | 1 |
| 14 | 537 39 70-01 | WORM SCREW | Worm screw | 1 | 1 |
| 15 | 537 07 94-02 | WORM WHEEL | Worm wheel | 1 | 1 |
| 16 | 740 48 07-02 | O-RING | O-ring | 1 | 1 |
| 17 | 503 23 00-63 | WASHER | Washer | 1 | 1 |
| 18 | 544 37 68-01 | LABEL | Label, clutch cover | 1 | 1 |
| 19 | 503 22 00-01 | HEXAGON NUT | Nut | 1 | |

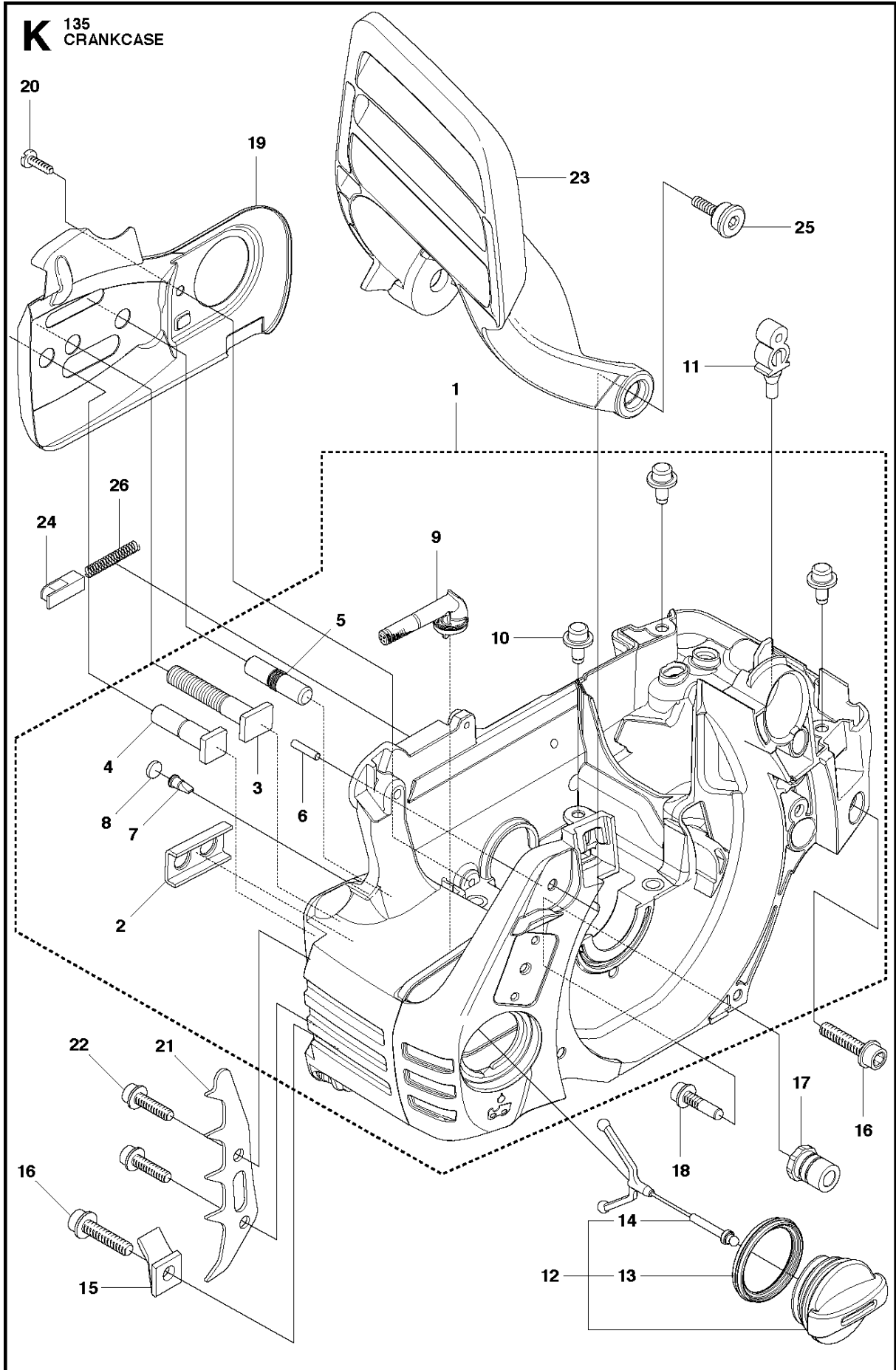
B 135, 135e
CLUTCH & OIL PUMP



CLUTCH & OIL PUMP

135 from 2011-08 -

| Ref | Part No | Description | Remark | QTY | KIT |
|-----|--------------|----------------|------------------|-----|-----|
| 1 | 530 01 49-49 | CLUTCH | Clutch assy | 1 | |
| 2 | 530 09 41-88 | SPRING | Clutch spring | 1 | 1 |
| 3 | 578 25 71-01 | CLUTCH DRUM | Clutch drum assy | 1 | |
| 4 | 503 53 92-01 | NEEDLE BEARING | Needle bearing | 1 | 3 |
| 5 | 544 21 24-01 | WORM GEAR | Worm gear | 1 | |
| 6 | 540 05 79-01 | PUMP PISTON | Pump piston | 1 | |
| 7 | 537 15 48-01 | PUMP CYLINDER | Pump cylinder | 1 | |
| 8 | 544 08 42-01 | OIL HOSE | Oil hose | 1 | |
| 9 | 530 01 56-11 | WASHER | | 1 | |

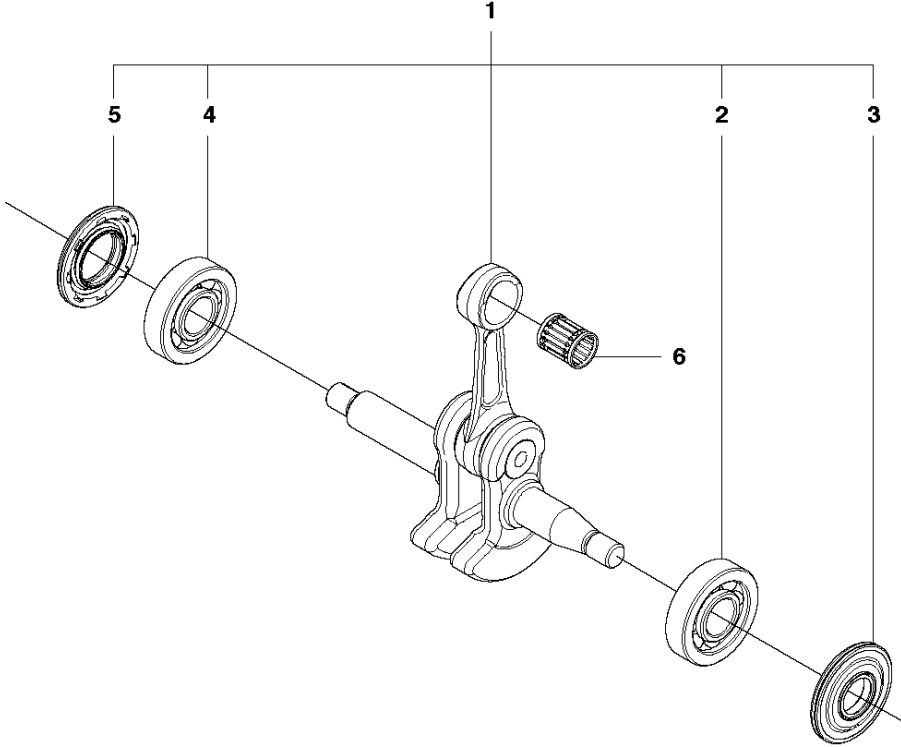


CRANKCASE

135 from 2011-08 -

| Ref | Part No | Description | Remark | QTY | KIT |
|-----|--------------|-------------------|-------------------|-----|-----|
| 1 | 544 93 25-01 | CRANKCASE ASSY | Crankcase assy | 1 | |
| 2 | 503 87 58-02 | STIFFENING PLATE | Stiffening plate | 1 | 1 |
| 3 | 503 87 54-02 | BAR BOLT | Bar bolt | 1 | 1 |
| 4 | 537 33 46-01 | BAR BOLT | Bar bolt | 1 | 1 |
| 5 | 544 03 64-01 | BAR BOLT | Bar bolt | 1 | 1 |
| 6 | 503 24 09-05 | NEEDLE ROLLER | Needle roller | 1 | 1 |
| 7 | 530 02 61-19 | CHECK VALVE | Check valve | 1 | 1 |
| 8 | 537 40 35-01 | FILTER | Filter | 1 | 1 |
| 9 | 544 08 33-01 | OIL SCREEN | Oil screen | 1 | 1 |
| 10 | 544 33 16-01 | GUIDE PIN | Guide pin | 3 | 1 |
| 11 | 503 86 93-01 | CARBURETTOR | Support | 1 | |
| 12 | 544 11 12-01 | TANK CAP ASSY | Tank cap assy | 1 | |
| 13 | 537 21 50-01 | SEALING | Sealing | 1 | 12 |
| 14 | 503 57 89-01 | HOLDER | Holder | 1 | 12 |
| 15 | 503 88 63-01 | PIN | Chain catcher pin | 1 | |
| 16 | 503 21 88-76 | SCREW IH SCT | Screw | 2 | |
| 17 | 501 00 76-01 | LATERAL SUPPORT | Lateral support | 1 | |
| 18 | 503 21 51-03 | SCREW IH SCT | Screw | 1 | |
| 19 | 544 28 46-01 | CHAIN GUIDE PLATE | Chain guide plate | 1 | |
| 20 | 503 21 70-10 | SCREW CCRPANT | Screw | 1 | |
| 21 | 544 28 65-01 | INDRE BARKSTØD | Spike inner | 1 | |
| 22 | 503 21 75-20 | SCREW IH SCT | Screw | 2 | |
| 23 | 544 25 15-01 | HAND GUARD | Hand guard | 1 | |
| 24 | 503 89 24-01 | LOCK | Catch | 1 | |
| 25 | 503 89 30-01 | SCREW | Screw | 2 | |
| 26 | 503 43 65-01 | POSITION SPRING | Lock spring | 1 | |

J 135
CRANKSHAFT

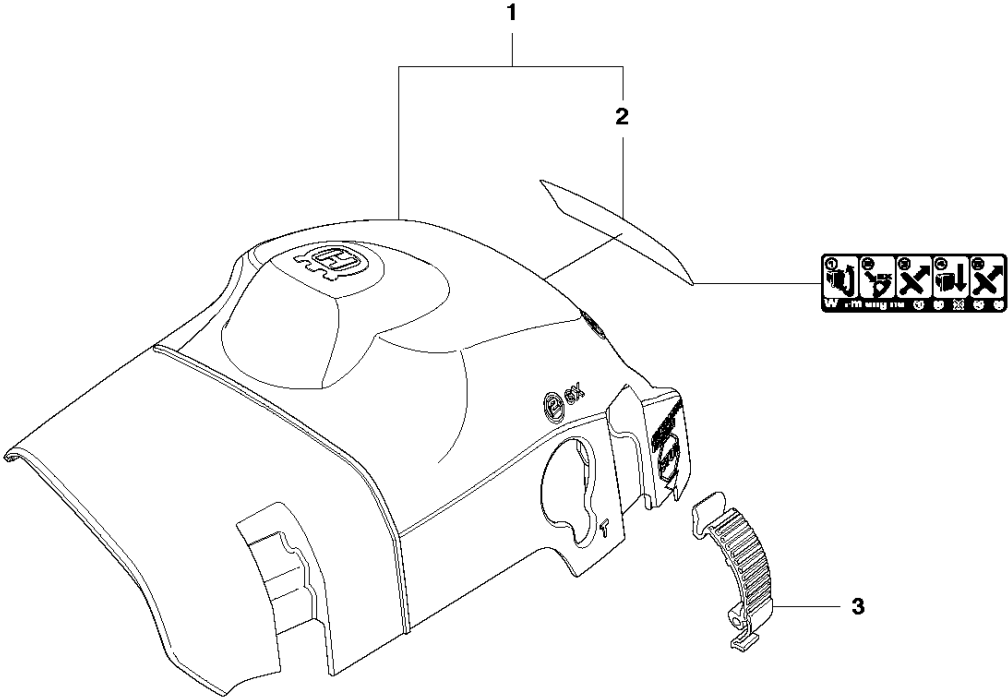


CRANKSHAFT

135 from 2011-08 -

| Ref | Part No | Description | Remark | QTY KIT | |
|-----|--------------|----------------|-------------------------|---------|---|
| 1 | 544 34 38-01 | CRANKSHAFT | Crankshaft | 1 | |
| 2 | 544 24 87-02 | BALL BEARING | Ball bearing 6001 OD32 | 1 | 1 |
| 3 | 544 25 12-01 | SEALING | Sealing 12x32x3,7 | 1 | 1 |
| 4 | 544 24 88-02 | BALL BEARING | Ball bearing 6001 OD32w | 1 | 1 |
| 5 | 544 25 13-01 | SEALING | Sealing 16,6x32,3,7 | 1 | 1 |
| 6 | 503 41 41-01 | NEEDLE BEARING | Needle bearing | 1 | |

C 135
CYLINDER COVER

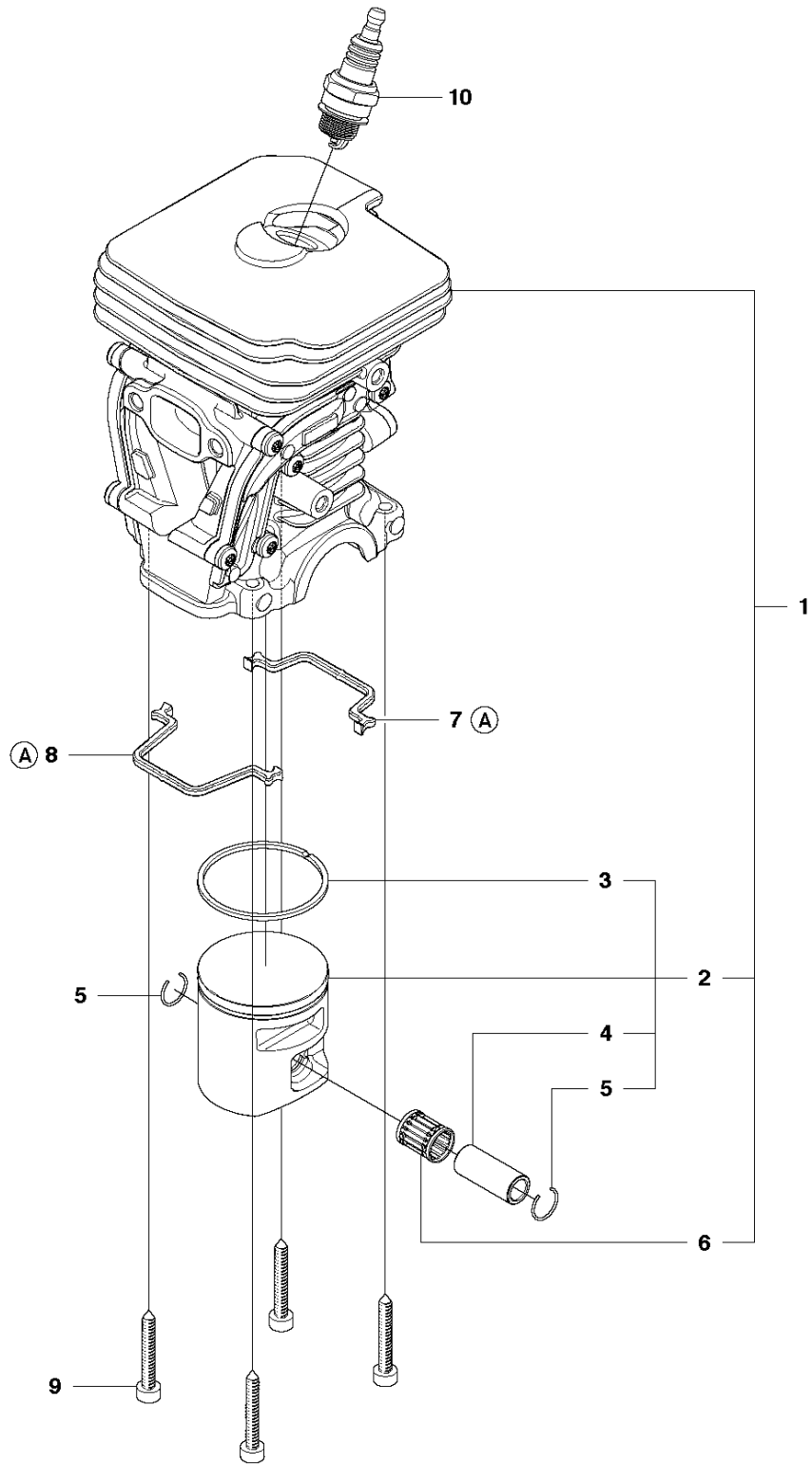


CYLINDER COVER

135 from 2011-08 -

| Ref | Part No | Description | Remark | QTY KIT | |
|-----|--------------|---------------------|-----------------------|---------|---|
| 1 | 504 79 02-01 | CYLINDER COVER ASSY | Cylinder cover kpl | 1 | |
| 2 | 522 73 60-01 | LABEL | Start reminder, label | 1 | 1 |
| 3 | 503 89 47-01 | SNAP | Snap | 3 | |

H 135
CYLINDER PISTON

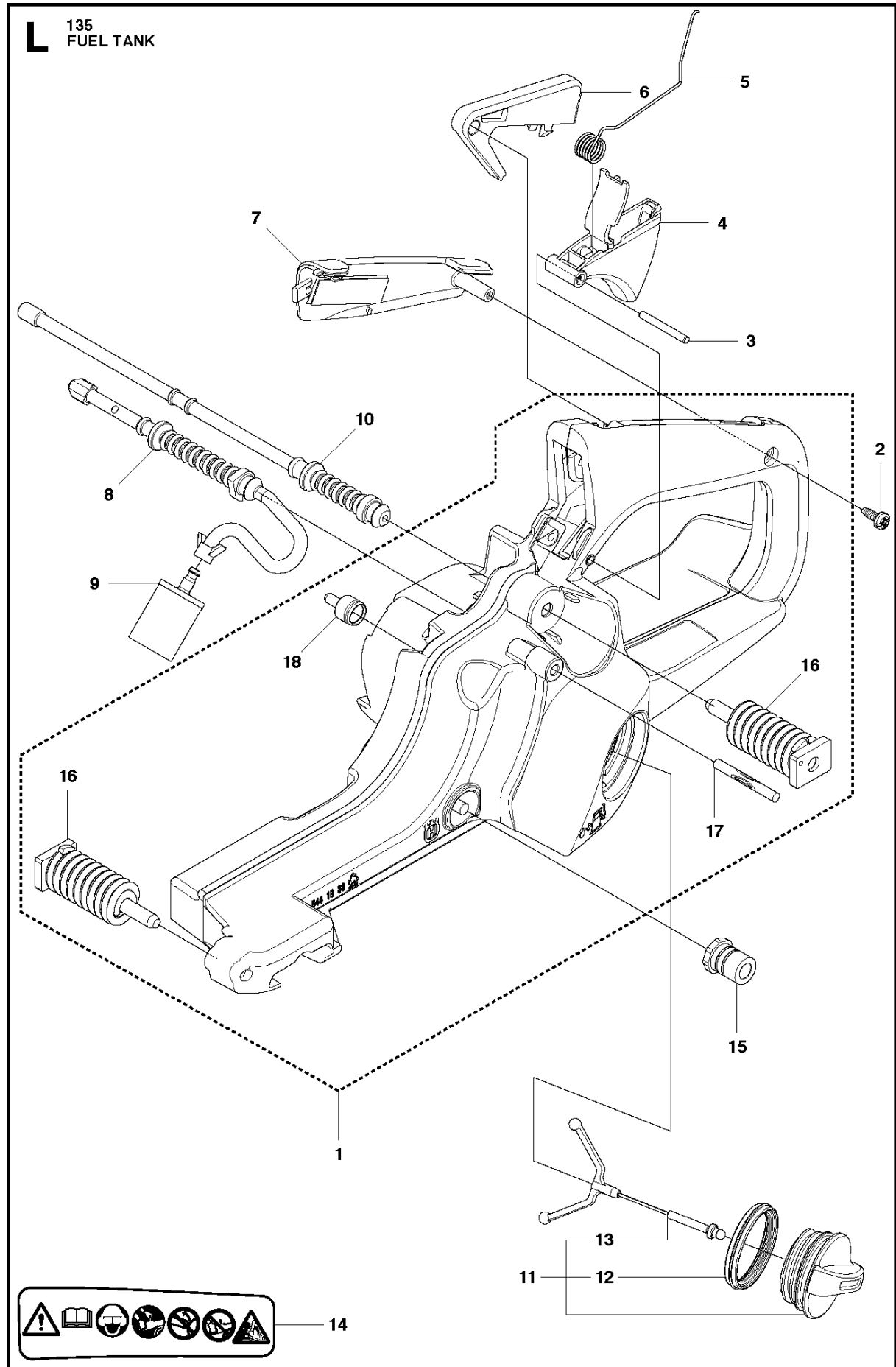


11
Ⓐ 504 79 40-01
Set of gaskets

CYLINDER PISTON

135 from 2011-08 -

| Ref | Part No | Description | Remark | QTY | KIT |
|-----|--------------|----------------|------------------------|-----|-----|
| 1 | 504 73 51-02 | CYLINDER | Cylinder assy | 1 | |
| 2 | 502 62 50-02 | PISTON ASSY | Piston assy | 1 | 1 |
| 3 | 544 40 59-01 | PISTON RING | Piston ring | 1 | 2 |
| 4 | 544 40 60-01 | PISTON PIN | Piston pin | 1 | 2 |
| 5 | 737 44 10-00 | SNAP RING | Circlip | 2 | 2 |
| 6 | 503 41 41-01 | NEEDLE BEARING | Needle bearing | 1 | 1 |
| 7 | 544 39 60-01 | GASKET | Gasket, cylinder rear | 1 | 11 |
| 8 | 544 39 59-01 | GASKET | Gasket, cylinder front | 1 | 11 |
| 9 | 725 53 33-55 | SCREW IHSCM | Screw | 4 | |
| 10 | 503 23 51-11 | SPARK PLUG | Spark plug | 1 | |
| 11 | 504 79 40-01 | GASKET | Set of gaskets | 1 | |

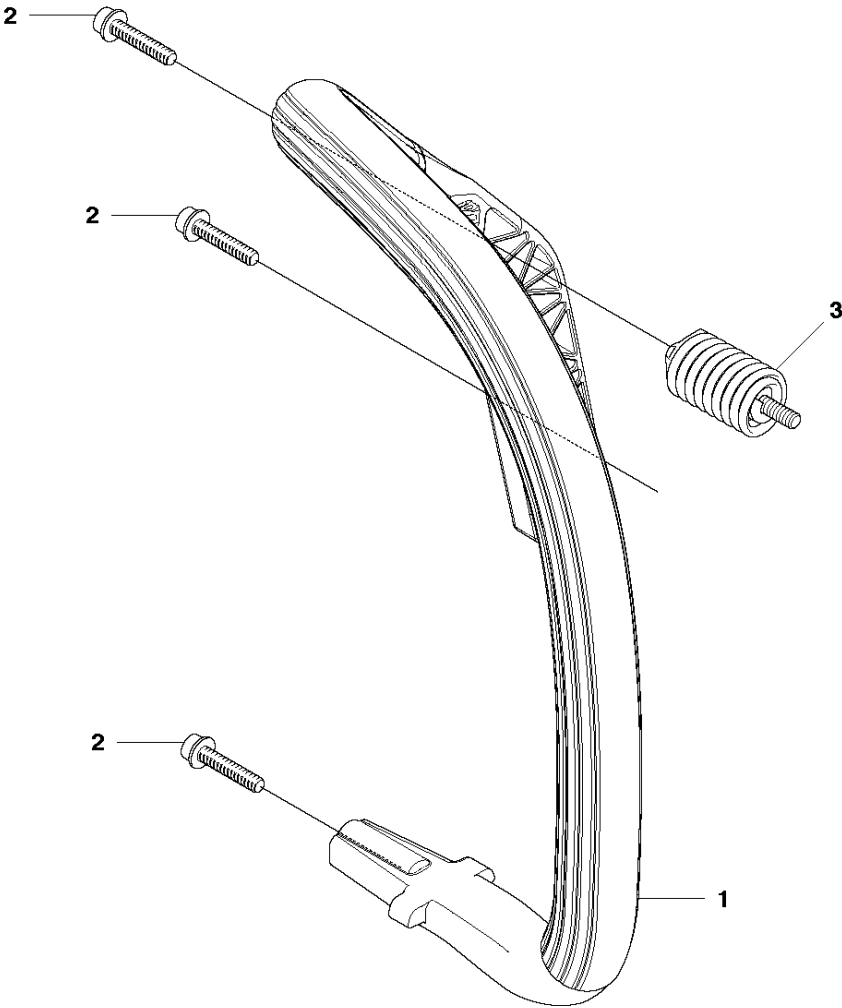


FUEL TANK

135 from 2011-08 -

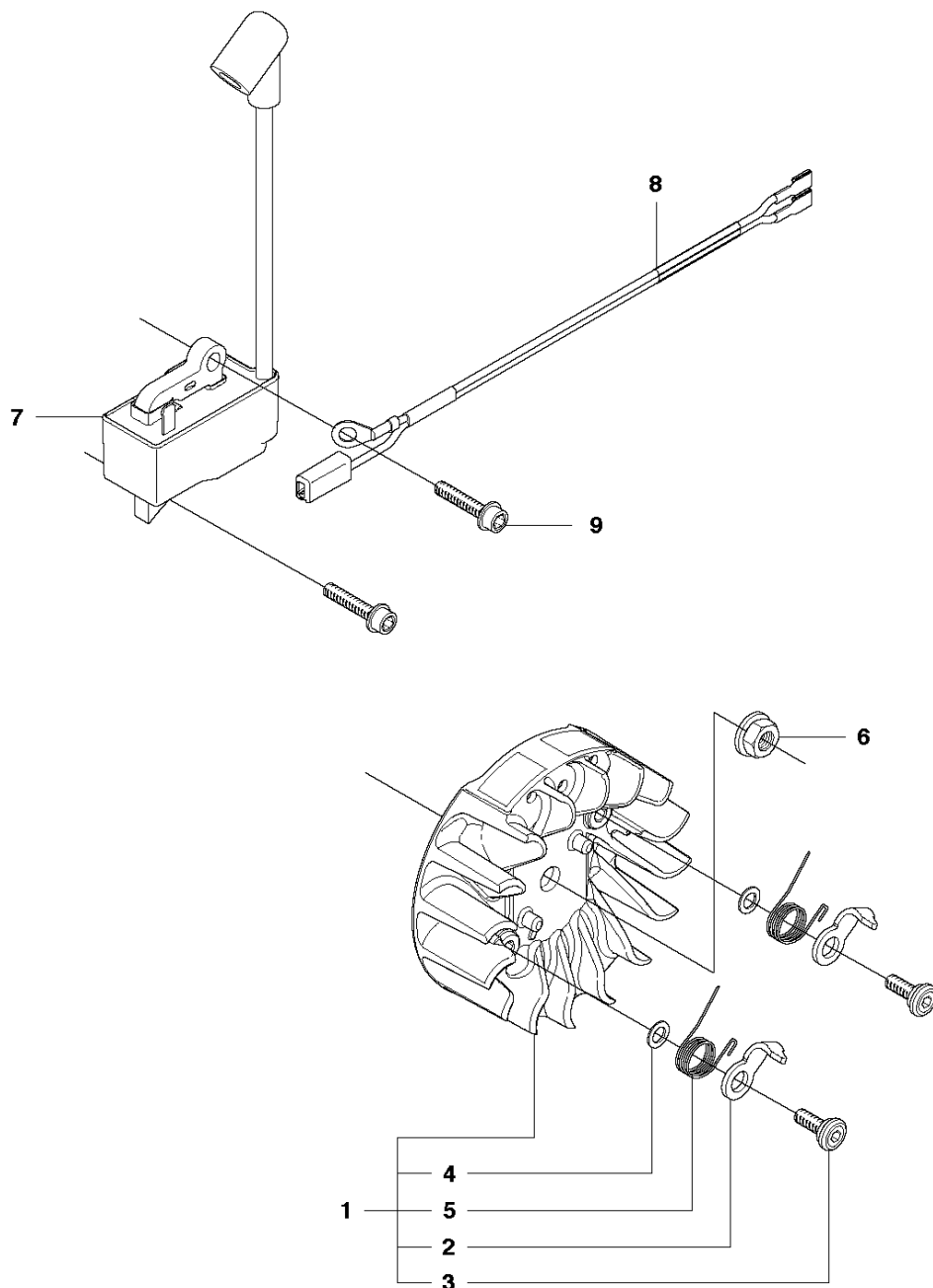
| Ref | Part No | Description | Remark | QTY | KIT |
|-----|--------------|-----------------------|-----------------------|-----|-----|
| 1 | 544 19 38-07 | FUEL TANK | Fuel tank assy | 1 | |
| 2 | 503 21 28-10 | SCREW CCRPANT | Screw | 1 | |
| 3 | 720 18 25-20 | PARALLEL PIN | Pin | 1 | |
| 4 | 544 96 85-01 | THROTTLE CONTROL | Throttle control | 1 | |
| 5 | 544 09 99-01 | SPRING | Spring | 1 | |
| 6 | 544 28 41-01 | THROTTLE LOCKOUT | Throttle lockout | 1 | |
| 7 | 544 28 49-01 | HANDLE INSERT | Handle insert | 1 | |
| 8 | 544 12 86-01 | FUEL HOSE | Fuel hose | 1 | |
| 9 | 503 44 32-01 | FILTER | Filter mix | 1 | |
| 10 | 544 12 97-01 | RETURN HOSE | Return hose | 1 | |
| 11 | 544 11 12-01 | TANK CAP ASSY | Tank cap assy | 1 | |
| 12 | 537 21 50-01 | SEALING | Sealing | 1 | 11 |
| 13 | 503 57 89-01 | HOLDER | Holder | 1 | 11 |
| 14 | 544 37 50-01 | LABEL | Decal warning | 1 | |
| 15 | 501 00 76-01 | LATERAL SUPPORT | Lateral support | 1 | |
| 16 | 504 79 56-01 | ANTIVIBRATION ELEMENT | Antivibration element | 2 | 1 |
| 17 | 721 12 63-39 | GROOVED PIN | Grooved pin | 1 | 1 |
| 18 | 537 35 95-01 | TANK VENT ASSY | Fuel tank vent | 1 | 1 |

M 135
HANDLE



| Ref | Part No | Description | Remark | QTY KIT |
|-----|--------------|-----------------------|-----------------------|---------|
| 1 | 544 28 40-01 | FRONT HANDLE | Front handle | 1 |
| 2 | 503 21 88-76 | SCREW IHST | Screw | 3 |
| 3 | 503 89 83-01 | ANTIVIBRATION ELEMENT | Antivibration element | 1 |

E 135
IGNITION SYSTEM

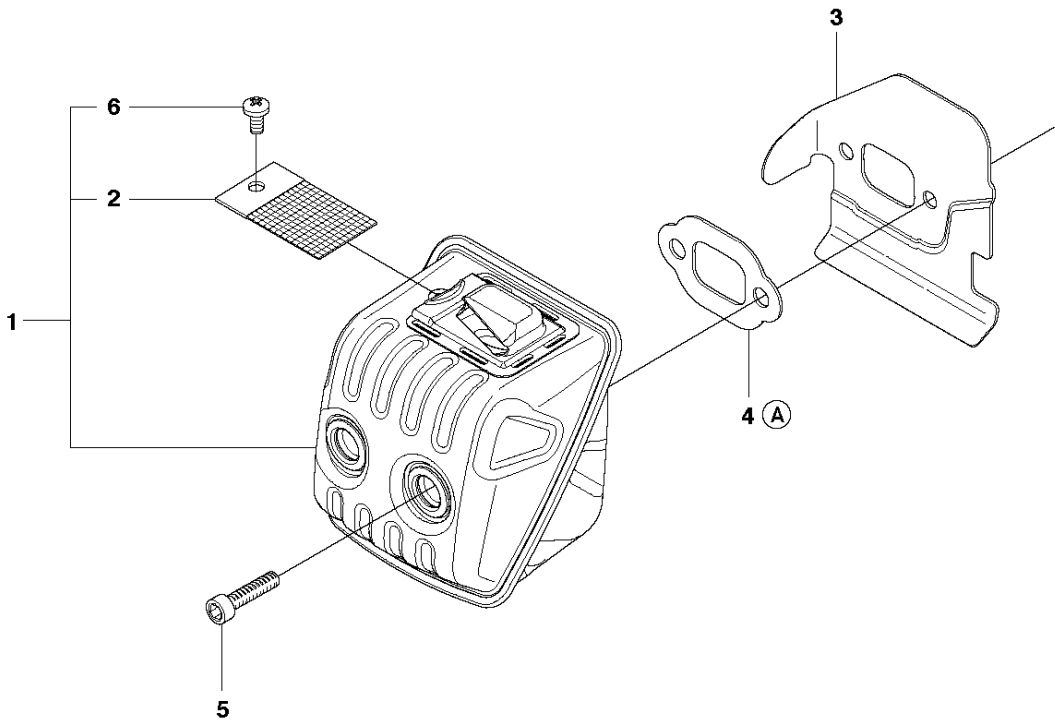


IGNITION SYSTEM

135 from 2011-08 -

| Ref | Part No | Description | Remark | QTY KIT | |
|-----|--------------|-----------------|-----------------|---------|---|
| 1 | 544 87 42-02 | FLYWHEEL ASSY | Flywheel assy | 1 | |
| 2 | 537 24 56-01 | STARTER PAWL | Starter pawl | 2 | 1 |
| 3 | 501 81 99-03 | SCREW | Screw | 2 | 1 |
| 4 | 503 23 00-42 | WASHER | Washer steel | 2 | 1 |
| 5 | 529 27 11-01 | SPRING | Spring | 2 | 1 |
| 6 | 503 22 04-01 | NUT | Nut | 1 | |
| 7 | 576 70 56-02 | IGNITION MODULE | Ignition module | 1 | |
| 8 | 510 10 14-01 | WIRING ASSY | Wiring assy | 1 | |
| 9 | 503 20 02-20 | SCREW IHSCFM | Screw IHSCFM | 2 | |

F 135
MUFFLER



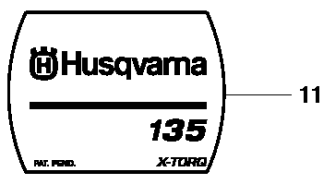
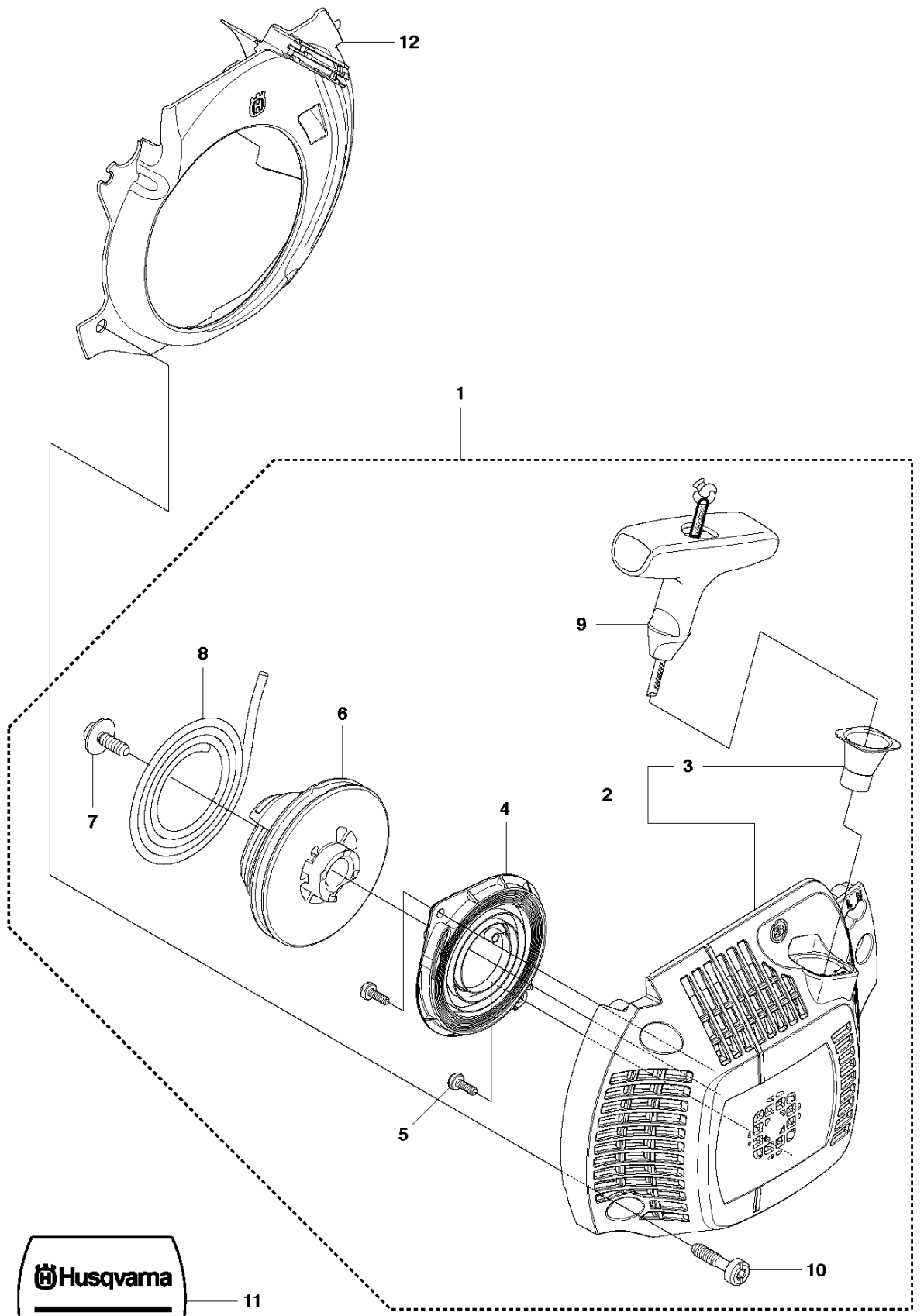
7
Ⓐ 504 79 40-01
Set of gaskets

MUFFLER

135 from 2011-08 -

| Ref | Part No | Description | Remark | QTY | KIT |
|-----|--------------|----------------|----------------|-----|-----|
| 1 | 544 14 77-02 | MUFFLER ASSY | Muffler assy | 1 | |
| 2 | 579 75 33-01 | SCREEN | Spark arrester | 1 | 1 |
| 3 | 501 32 31-01 | HEAT DEFLECTOR | Heat deflector | 1 | |
| 4 | 579 75 31-01 | GASKET | Gasket | 1 | 7 |
| 5 | 725 53 68-55 | SCREW IHSCM | Screw | 2 | |
| 6 | 724 12 87-59 | SCREW CRPANM | Screw | 1 | 1 |
| 7 | 504 79 40-01 | GASKET | Set of gaskets | 1 | |

D 135
STARTER

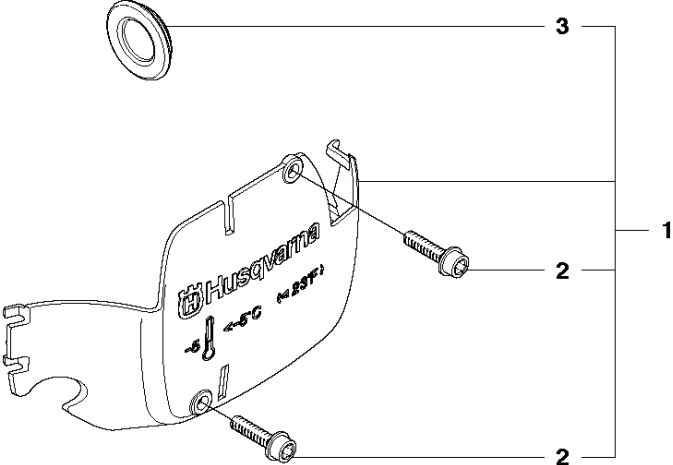


STARTER

135 from 2011-08 -

| Ref | Part No | Description | Remark | QTY | KIT |
|-----|--------------|----------------------|-----------------------|-----|------|
| 1 | 504 59 70-02 | STARTER ASSY | Starter assy, std | 1 | |
| 2 | 504 59 69-01 | STARTER | Starter, Std | 1 | 1 |
| 3 | 537 28 32-01 | REINFORCEMENT SLEEVE | Reinforcement sleeve | 1 | 1, 2 |
| 4 | 540 05 75-02 | SPRING CASSETTE ASSY | Spring cassette assy | 1 | 1 |
| 5 | 503 21 28-10 | SCREW CCRPANT | Screw CCRPANT | 2 | 1 |
| 6 | 504 59 71-01 | STARTER PULLEY | Starter pulley | 1 | 1 |
| 7 | 503 21 77-16 | SCREW IHST | Screw IHST | 1 | 1 |
| 8 | 505 30 51-25 | STARTER CORD | Starter cord | 1 | 1 |
| 9 | 537 23 25-01 | STARTER HANDLE | Starter handle | 1 | 1 |
| 10 | 503 21 73-21 | SCREW | Screw CIHSCTO | 4 | 1 |
| 11 | 504 54 68-03 | LABEL | Label, Starter | 1 | |
| 12 | 544 19 71-01 | AIR CONDUCTOR | Cooling air conductor | 1 | |

Q 135
WINTER KIT



| Ref | Part No | Description | Remark | QTY KIT | |
|-----|--------------|---------------|-------------|---------|---|
| 1 | 505 45 04-01 | WINTER KIT | Winter kit | 1 | |
| 2 | 503 21 70-16 | SCREW CCRPANT | Screw | 2 | 1 |
| 3 | 503 40 59-01 | WINTER PLUG | Winter plug | 1 | 1 |

Illustrated Parts List - IPL Update



Product Name(s)

H135

Description of change

The functionality of the ignition module is improved. (MBU-49)

Comments

Fully interchangeable.

Introduced from

| Serial number / Date | Remark |
|----------------------|--|
| 20152000002 | New Ignition module 576 70 56-02 added. North America. |
| 20153400385 | New Ignition module 576 70 56-02 added. |
| | |

IPL updates

| Page Title | Ref. no | New part no | Name | Excl. part no. | Remark |
|-----------------|---------|--------------|-----------------|----------------|--------|
| Ignition system | 7 | 576 70 56-02 | Ignition module | 576 70 56-01 | |
| | | | | | |
| | | | | | |
| | | | | | |
| | | | | | |