

Parts Manual for

SNAPPER®

82 VOLT BATTERY POWERED 550 CFM HANDHELD BLOWER

<i>Model No.</i>	<i>Description</i>
1696775-00	Handheld Blower
1696776-00	Handheld Blower - EU



Briggs & Stratton Yard Power Products Group
3515 N. 124 Street / PO Box 702
Wauwatosa, WI 53222 U.S.A.
800-935-2967

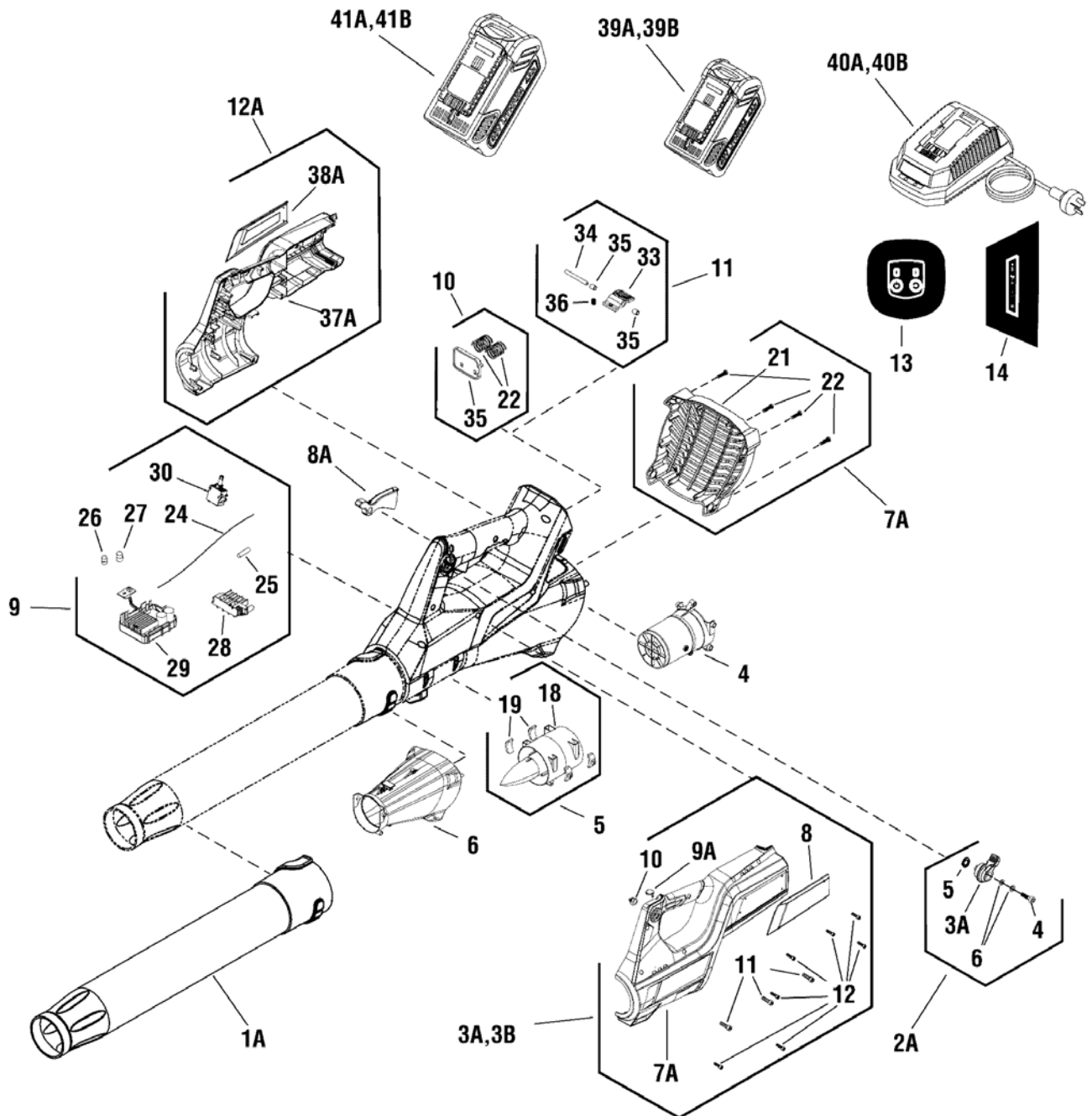
Manual No. 1760806
Revision: - 8/30/2016

Not for
Reproduction

PAGE	GROUP
4	Blower Group (1696776_1696775)

Not for
Reproduction

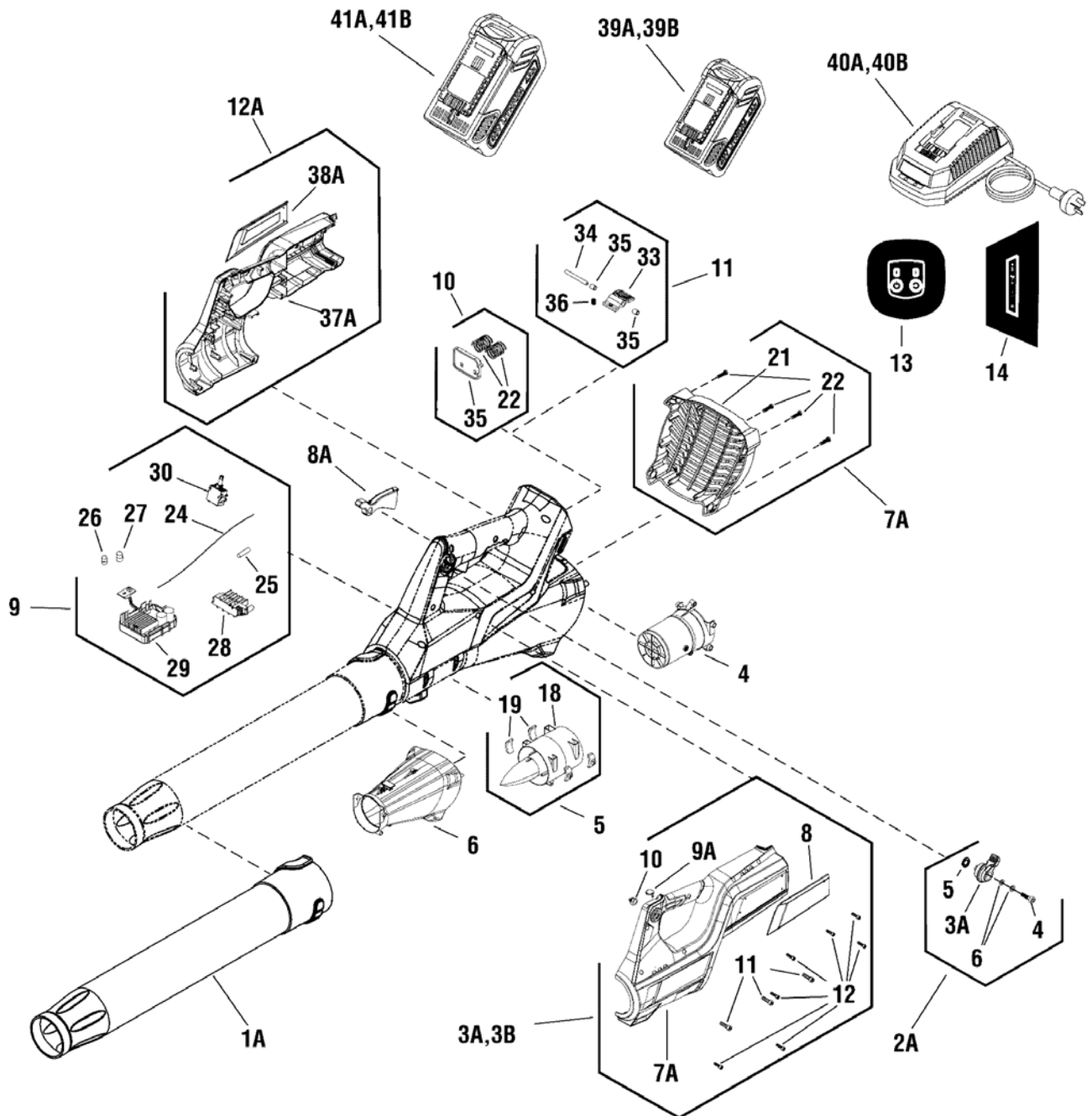
Blower Group (1696776_1696775)



Item	Part No	Qty	Description
1A	770439	1	TUBE, ASSEMBLY, NA & EU
1	----	1	TUBE
2A	770441	1	SWITCH, ASSEMBLY, NA & EU (Incl. Ref. 3A through 6)
3A	----	1	SWITCH
4	----	1	SCREW
5	----	1	WASHER, SPRING
6	----	2	MAT, FLAT
3A	770443	1	KIT, LEFT HANDLE, NA (Incl. Ref. 7A through 12)
3B	770444	1	KIT, LEFT HANDLE, EU (Incl. Ref. 7A through 12)
7A	----	1	HANDLE, LEFT
8A	----	1	COVER, LEFT DECORATIVE
9A	----	1	BUTTON, PCB
10	----	1	NUT
11	----	3	SCREW
12	----	7	SCREW
4	770446	1	TUBE, CONNECTING
17	----	1	TUBE, CONNECTING
5	770447	1	KIT. MOTOR (Incl. Ref. 18 & 19)
18	----	1	MOTOR
19	----	4	CUSHIONING
6	770448	1	TUBE, AIR INLET
20	----	1	TUBE, AIR INLET
7A	770449	1	KIT, INLET GUARD (Incl. Ref. 21A & 22)
21A	----	1	GUARD, INLET
22	----	4	SCREW
8A	770450	1	SWITCH, TRIGGER
23A	----	1	SWITCH, TRIGGER
9	770453	1	KIT, PCB (Incl. Ref. 24 through 30)
24	----	1	WIRE, 25CM
25	----	1	TUBE, 24CM, HEAT SHRINKABLE
26	----	1	TERMINAL
27	----	1	TERMINAL
28	----	1	INSERT
29	----	1	PCB
30	----	1	SWITCH, SPEED
10	770454	1	KIT, BASE SPRING (Incl. Ref. 31 & 32)
31	----	1	BASE, SPRING
32	----	2	SPRING, BATTERY BOUNCE
11	770455	1	KIT, BATTERY RELEASE BUTTON (Incl. Ref. 33 through 36)
33	----	1	BUTTON, RELEASE
34	----	1	AXIS, FIXED
35	----	2	SLEEVE, AXIAL

Footnotes:

Blower Group (1696776_1696775)



Item	Part No	Qty	Description
36	-----	1	SPRING, RESET
12A	770456	1	KIT, RIGHT HANDLE, NA & EU (Incl. Ref. 37A & 38A)
37A	-----	1	HANDLE, RIGHT
38A	-----	1	COVER, RIGHT, DECORATIVE
39A	1760266	1	BATTERY, 2AH, NA (OPTION)
39B	1760514	1	BATTERY, 2AH, EU (OPTION)
40A	1760263	1	CHARGER, RAPID, NA (OPTION)
40B	1760264	1	CHARGER, RAPID, EU (OPTION)
41A	1760265	1	BATTERY, 4AH, NA (OPTION)
41B	1760515	1	BATTERY, 4AH, EU (OPTION)
13	770495	1	DECAL, SNAPPER XD SPEED
14	770496	1	DECAL, CHARGER INDICATOR

Not for
Reproduction

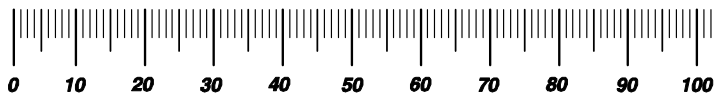
Footnotes:

Hardware Identification & Torque Specifications

Torque Specification Chart								
FOR STANDARD METRIC MACHINE HARDWARE (Tolerance ± 20%)								
Property Class	5.6		8.8		10.9		12.9	
	Class 5.6		Class 8.8		Class 10.9		Class 12.9	
Size Of Hardware	in/lbs		in/lbs		in/lbs		in/lbs	
	ft/lbs	Nm.	ft/lbs	Nm.	ft/lbs	Nm.	ft/lbs	Nm.
M3	5.88	.56	13.44	1.28	19.2	1.80	22.92	2.15
M4	13.44	1.28	30.72	2.90	43.44	4.10	52.56	4.95
M5	26.4	2.50	60.96	5.75	5.97	8.10	7.15	9.7
M6	44.64	4.3	7.3	9.9	10.3	14	12.1	16.5
M7	5.2	7.1	12.1	16.5	16.9	23	19.9	27
M8	7.7	10.5	17.7	24	25	34	29	40
M10	15	21	35	48	50	67	59	81
M12	26	36	61	83	86.2	117	103	140
M14	42	58	101	132	136	185	162	220
M16	64	88	147	200	210	285	250	340
M18	89	121	202	275	287	390	346	470
M20	126	171	290	390	405	550	486	660
M22	169	230	390	530	559	745	656	890
M24	217	295	497	375	708	960	840	1140
M27	320	435	733	995	1032	1400	1239	1680
M30	435	590	995	1350	1401	1900	1681	2280
M33	590	800	1349	1830	1902	2580	2278	3090
M36	759	1030	1740	2360	2441	3310	2935	3980
M39	988	1340	2249	3050	3163	4290	3798	5150

Torque Specification Chart						
FOR STANDARD MACHINE HARDWARE (Tolerance ± 20%)						
Hardware Grade	No Marks		SAE Grade 5		SAE Grade 8	
	SAE Grade 2		SAE Grade 5		SAE Grade 8	
Size Of Hardware	in/lbs		in/lbs		in/lbs	
	ft/lbs	Nm.	ft/lbs	Nm.	ft/lbs	Nm.
8-32	19	2.1	30	3.4	41	4.6
8-36	20	2.3	31	3.5	43	4.9
10-24	27	3.1	43	4.9	60	6.8
10-32	31	3.5	49	5.5	68	7.7
1/4-20	66	7.6	8	10.9	12	16.3
1/4-28	76	8.6	10	13.6	14	19.0
5/16-18	11	15.0	17	23.1	25	34.0
5/16-24	12	16.3	19	25.8	29	34.0
3/8-16	20	27.2	30	40.8	45	61.2
3/8-24	23	31.3	35	47.6	50	68.0
7/16-14	30	40.8	50	68.0	70	95.2
7/16-20	35	47.6	55	74.8	80	108.8
1/2-13	50	68.0	75	102.0	110	149.6
1/2-20	55	74.8	90	122.4	120	163.2
9/16-12	65	88.4	110	149.6	150	204.0
9/16-18	75	102.0	120	163.2	170	231.2
5/8-11	90	122.4	150	204.0	220	299.2
5/8-18	100	136	180	244.8	240	326.4
3/4-10	160	217.6	260	353.6	386	525.0
3/4-16	180	244.8	300	408.0	420	571.2
7/8-9	140	190.4	400	544.0	600	816.0
7/8-14	155	210.8	440	598.4	660	897.6
1-8	220	299.2	580	788.8	900	1,244.0
1-12	240	326.4	640	870.4	1,000	1,360.0

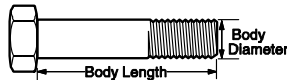
The guides and ruler furnished below are designed to help you select the appropriate hardware.



Nut, M8

Thread Diameter (mm)
Inside Diameter (in) Threads per inch

Nut, 1/2-16



Screw, M8- 1.25 x 25

Thread Diameter (mm) Distance between threads (mm) Body Length (mm)
Body Diameter Threads per inch Body Length (in)

Screw, 1/2- 16 x 2



Standard Hardware Sizing

When a washer or nut is identified as 1/2" (M8), this is the *Nominal size*, meaning the *inside diameter* is 1/2 inch (8mm metric thread diameter); if a second number is present it represents the *threads per inch* (distance between threads).

When bolt or capscrew is identified as 1/2 - 16 x 2" (M8 - 1.25 x 50), this means the *Nominal size*, or body diameter is 1/2 inch (8mm metric thread diameter), the second number, 16, represents the *threads per inch*, (1.25 thread diameter). The final number is the body length of the bolt or screw, 2 inches (50mm).

NOTES

- These torque values are to be used for all hardware excluding: locknuts, self-tapping screws, thread forming screws, sheet metal screws and socket head setscrews.
- Recommended seating torque values for locknuts:
 - for prevailing torque locknuts - use 65% of grade 5 torques.
 - for flange whizlock nuts and screws - use 135% of grade 5 torques.
- Unless otherwise noted on assembly drawings, all torque values must meet this specification.

Common Hardware Types

Hex Head Capscrew



Washer



Carriage Bolt



Lockwasher



Hex Nut



Wrench & Fastener Size Guide

1/4" Bolt or Nut Wrench—7/16"	5/16" Bolt or Nut Wrench—1/2"	3/8" Bolt or Nut Wrench—9/16"	7/16" Bolt or Nut Wrench (Bolt)—5/8" Wrench (Nut)—11/16"	1/2" Bolt or Nut Wrench—3/4"
M6 Bolt or Nut Wrench—10mm	M8 Bolt or Nut Wrench—13mm	M10 Bolt or Nut Wrench—17mm	M12 Bolt or Nut Wrench—19mm	M14 Bolt or Nut Wrench—22mm

Parts Manual for

SNAPPER®

82 VOLT BATTERY POWERED 550 CFM HANDHELD BLOWER

Not for
Reproduction

IT IS THE POLICY OF BRIGGS & STRATTON CORP TO IMPROVE ITS PRODUCTS WHENEVER IT IS POSSIBLE AND PRACTICAL TO DO SO. WE RESERVE THE RIGHT TO MAKE CHANGES OR ADD IMPROVEMENTS AT ANY TIME WITHOUT INCURRING ANY OBLIGATION TO MAKE SUCH CHANGES ON PRODUCTS

Briggs & Stratton Yard Power Products Group

3515 N. 124 Street / PO Box 702
Wauwatosa, WI 53222 U.S.A.
800-935-2967

www.snapper.com

Copyright © 2016 Briggs & Stratton Corporation
Milwaukee, WI USA. All Rights Reserved

Manual No. 1760806

Revision: - 8/30/2016