

Parts Manual for
SNAPPER®

**82 VOLT BATTERY POWERED
30.6" HEDGE TRIMMER**

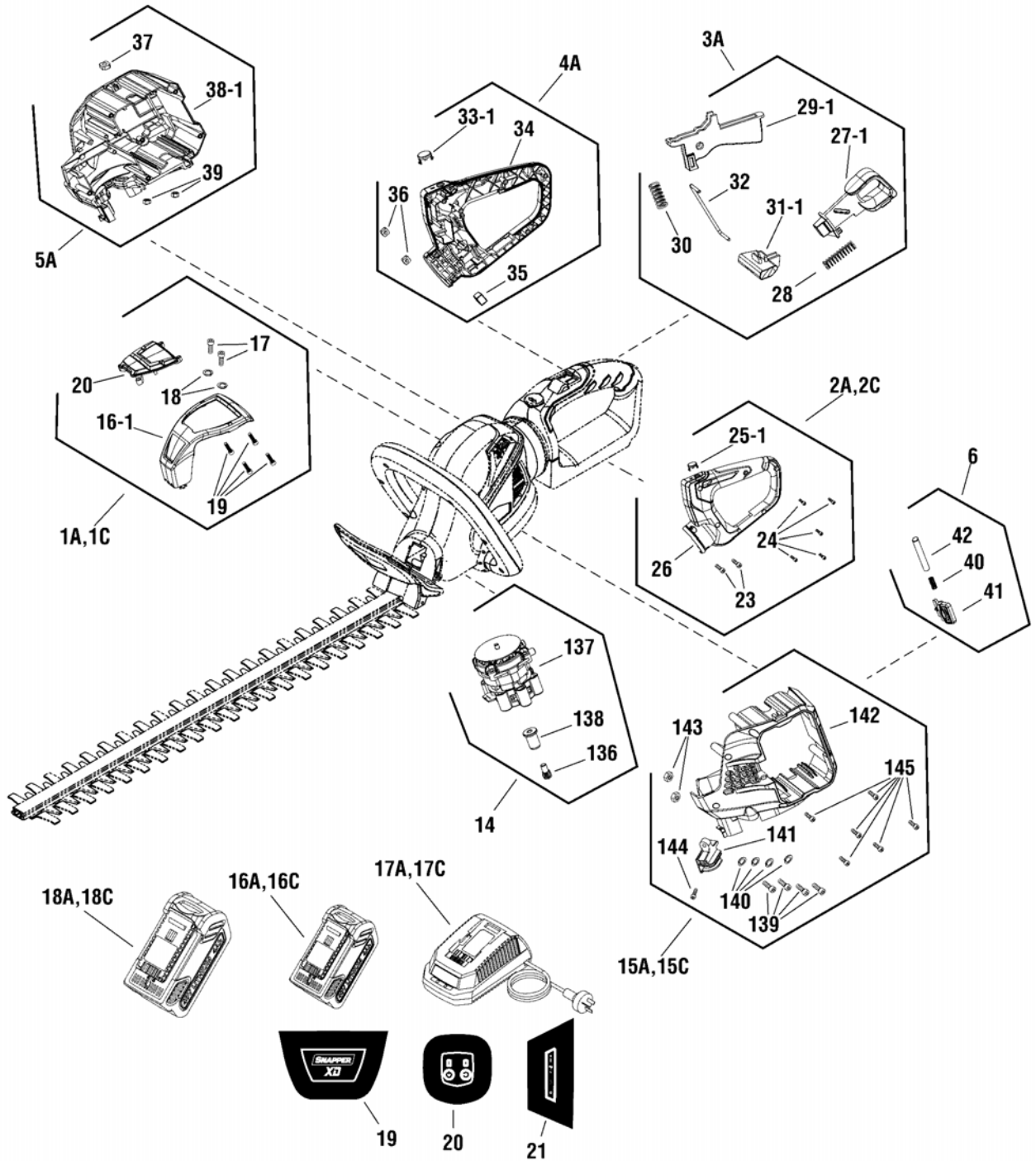
<i>Model No.</i>	<i>Description</i>
1696769-00	30.6" Hedge Trimmer
1696770-00	30.6" Hedge Trimmer - EU



Not for
Reproduction

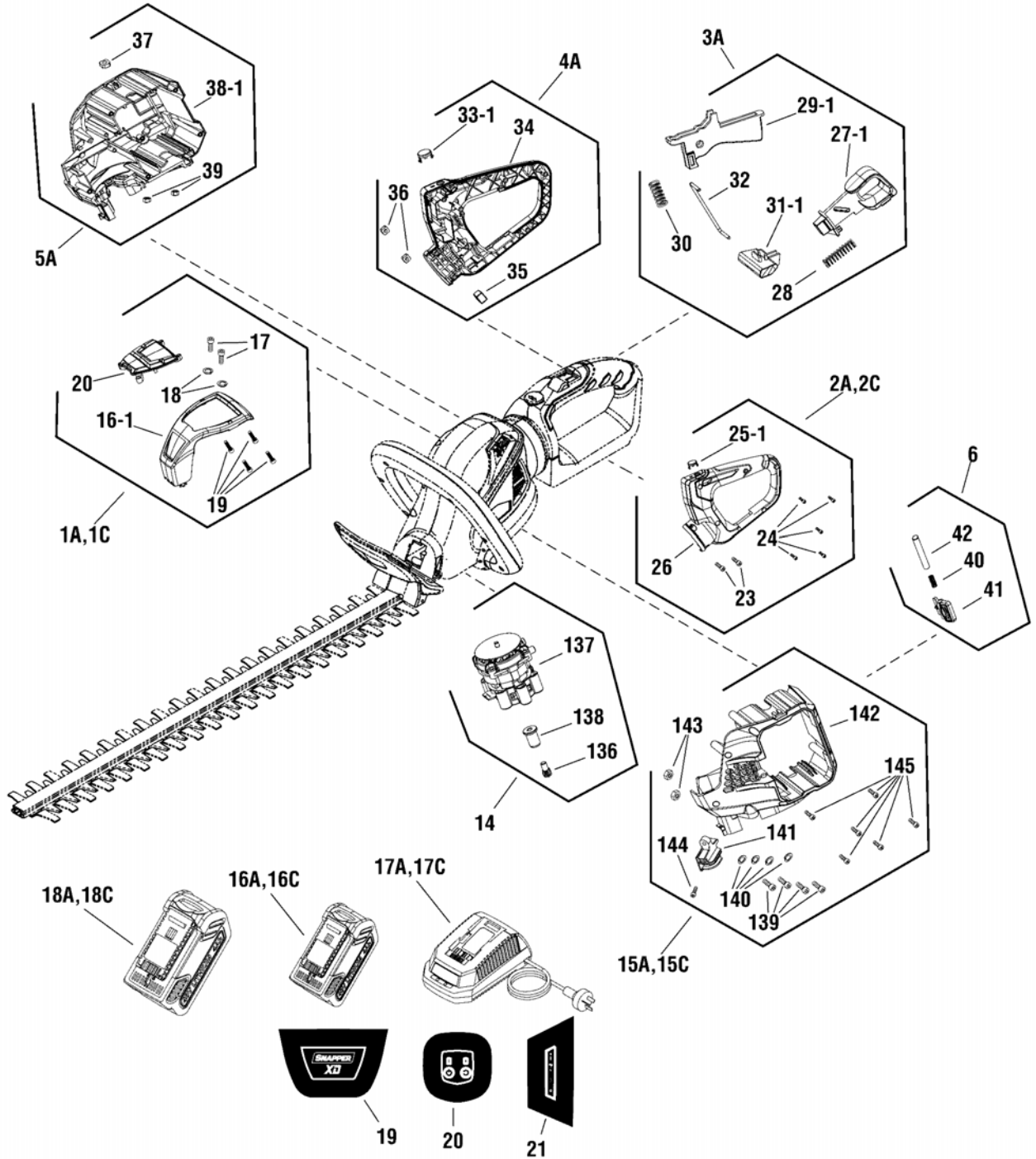
PAGE	GROUP
4	Powerhead Group
8	Blade Group

Not for
Reproduction



Item	Part No	Qty	Description
1A	770207	1	KIT, TOP COVER, NA (Incl. Ref. 16-1 through 19)
1C	770399	1	KIT, TOP COVER, EU (Incl. Ref. 16-1 through 19)
16-1	----	1	COVER, DECORATIVE
17	----	2	SCREW
18	----	2	GASKET, SPRING
19	----	4	SCREW
20	----	1	CAP, INNER
2A	770208	1	KIT, LEFT HANDLE, NA (Incl. Ref. 23 through 26)
2C	770401	1	KIT, LEFT HANDLE, EU (Incl. Ref. 23 through 26)
23	----	2	SCREW
24	----	5	SCREW
25-1	----	1	BUTTON, PCB
26	----	1	HANDLE, LEFT
3A	770209	1	KIT, TRIGGER & SAFETY BUTTON, NA & EU (Incl. Ref. 27-1 through 32)
27-1	----	1	BUTTON, SPIN
28	----	1	SPRING
29-1	----	1	SWITCH, TRIGGER
30	----	1	SPRING, TORSION
31-1	----	1	LOCKOUT, TRIGGER SWITCH
32	----	1	WIRE, STEEL
4A	770210	1	KIT, RIGHT HANDLE, NA & EU (Incl. Ref. 33-1 through 36)
33-1	----	1	BUTTON, PCB
34	----	1	HANDLE, RIGHT
35	----	1	PAD, SQUARE DAMPING
36	----	2	NUT
5A	770211	1	KIT, RIGHT HOUSING, NA & EU (Incl. Ref. 37 through 39)
37	----	1	NUT
38-1	----	1	HOUSING, RIGHT
39	----	2	NUT, SQUARE, M5
6	770212	1	KIT, BATTERY PACK BUTTON (Incl. Ref. 40 through 42)
40	----	1	SPRING
41	----	1	BUTTON, BATTERY FREE
42	----	1	ROLL, PIN
14	770220	1	KIT, MOTOR (Incl. Ref. 136 through 139)
136	----	1	PINION
137	----	1	MOTOR
138	----	1	SLEEVE, GEAR SHAFT
15A	770221	1	KIT, LEFT HOUSING, NA (Incl. Ref. 139 through 145)
15C	770403	1	KIT, LEFT HOUSING, EU (Incl. Ref. 139 through 145)
139	----	4	SCREW
140	----	4	GASKET, SPRING
141	----	1	CLAMP

Footnotes:

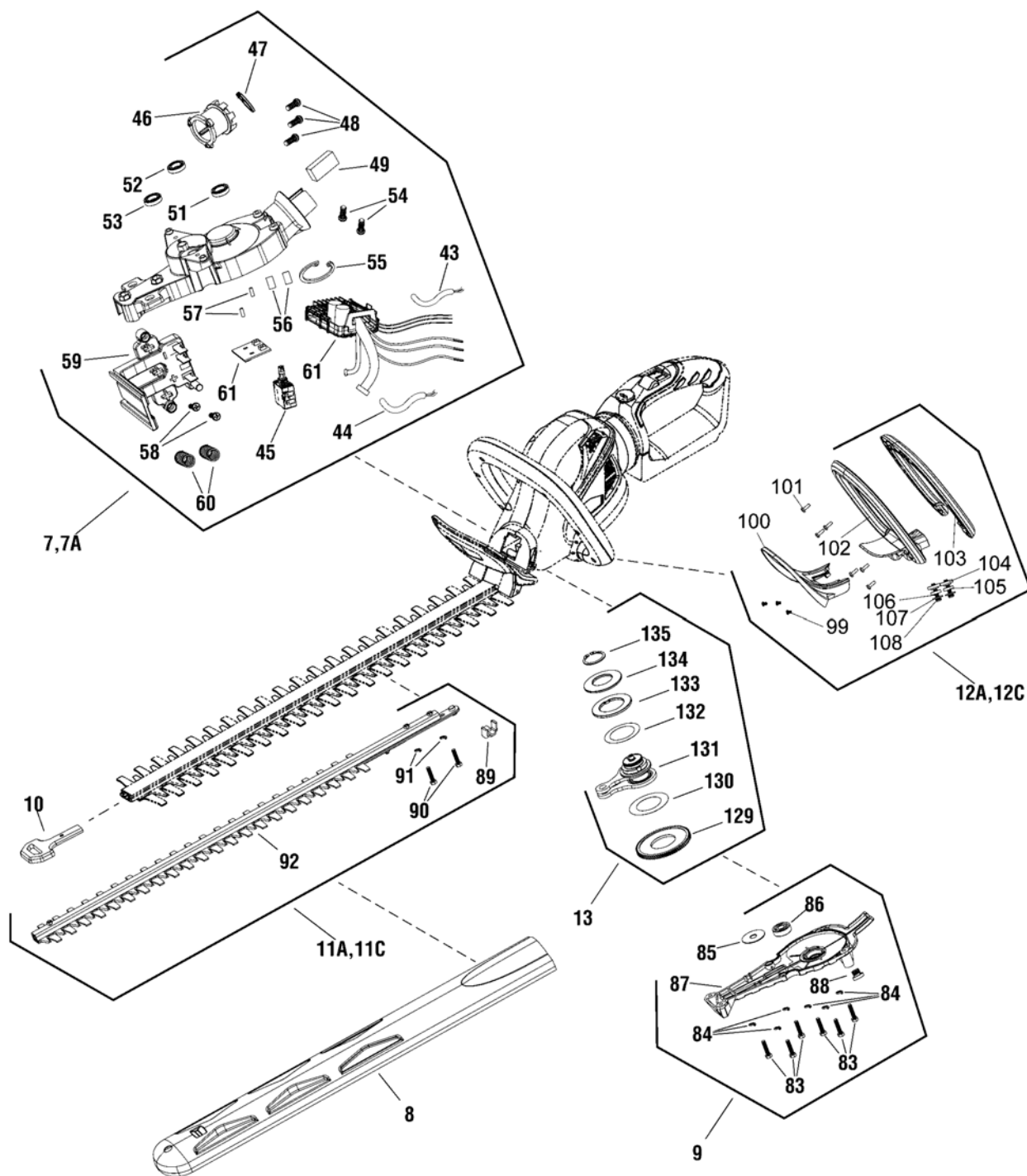


Item	Part No	Qty	Description
142	----	1	HOUSING, LEFT
143	----	2	NUT, SQUARE, M5
144	----	1	NUT
145	----	7	SCREW
16A	1760266	1	BATTERY, 2AH, NA (OPTION)
16C	1760514	1	BATTERY, 2AH, EU (OPTION)
17A	1760263	1	CHARGER, RAPID, NA (OPTION)
17C	1760624	1	CHARGER, RAPID, EU (OPTION)
18A	1760265	1	BATTERY, 4AH, NA (OPTION)
18C	1760515	1	BATTERY, 4AH, EU (OPTION)
19	770493	1	DECAL, SNAPPER XD SHROUD
20	770494	1	DECAL, SNAPPER XD POWER JAM
21	770496	1	DECAL, CHARGER INDICATOR

Not for
Reproduction

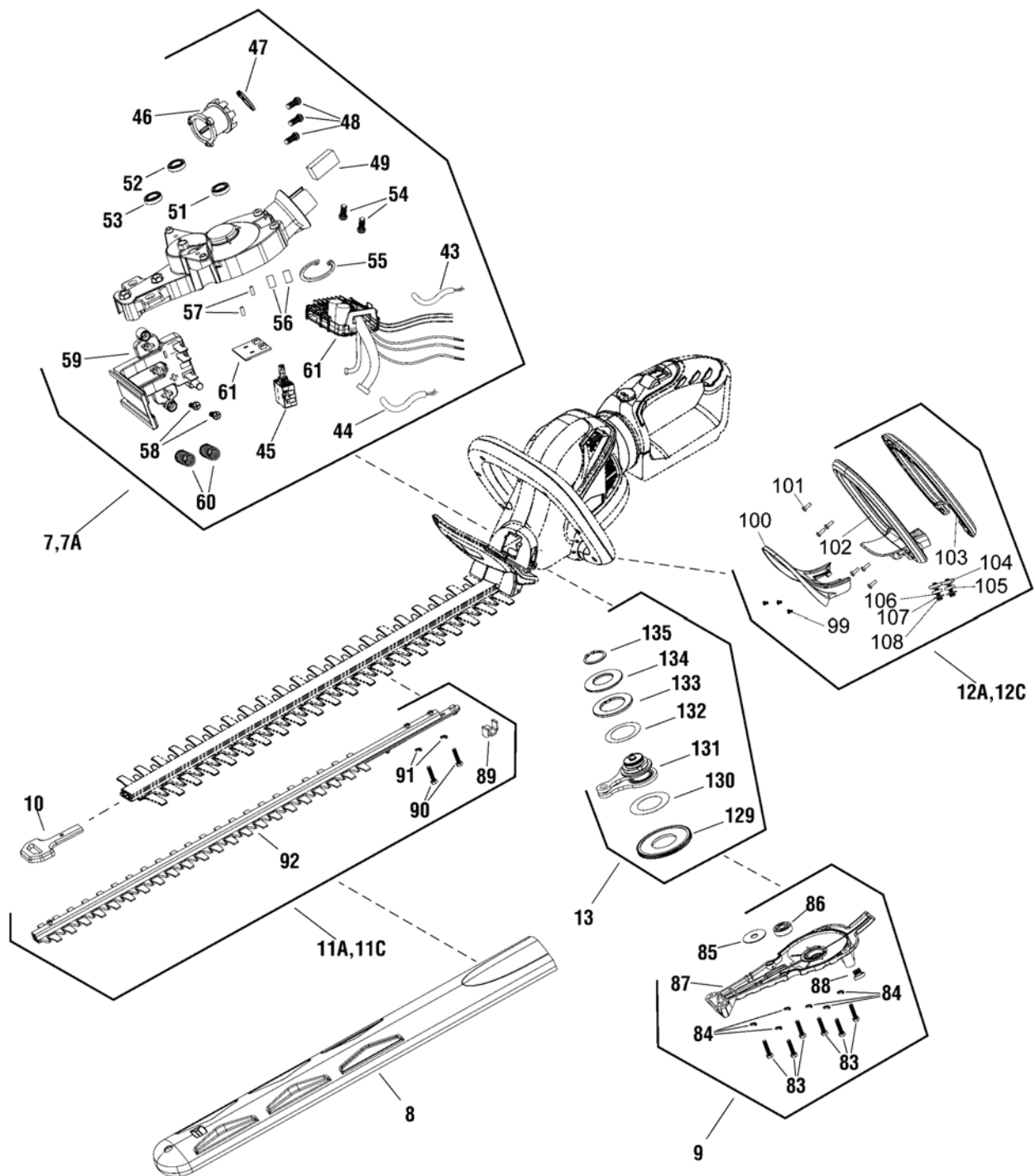
Footnotes:

Blade Group



Item	Part No	Qty	Description
7	770213	1	KIT, ELECTRIC & ON/OFF CIRCUIT CARD, NA (Incl. Ref. 43 through 61)
7A	770380	1	KIT, ELECTRIC & ON/OFF CIRCUIT CARD, AU & EU (Incl. Ref. 43 through 61)
43	----	12	TUBE, HEAT SHRINK
44	----	10	TUBE, HEAT SHRINK
45	----	1	SWITCH, SPEED
46	----	1	ROTATING CARD
47	----	1	CUSHION, HANDLE
48	----	3	SCREW
49	----	1	PAD, WATERPROOF
50	----	1	COVER, GEAR BOX
51	----	1	BEARING, BALL
52	----	1	BEARING, BALL
53	----	1	BEARING, BALL
54	----	3	SCABBARD
55	----	1	RING, HOLE
56	----	2	CUSHIONING
57	----	2	PIN, POSITIONING
58	----	2	SCREW
59	----	1	INSERT
60	----	2	SPRING, BATTERY
61	----	1	PCB
8	770214	1	GUARD
9	770215	1	KIT, GEAR CASE (Incl. Ref. 83 through 88)
83	----	6	SCREW
84	----	6	GASKET, SPRING
85	----	1	GASKET, GEAR BOX
86	----	1	BEARING, BALL
87	----	1	COVER, GEAR BOX
88	----	1	PAD, WATERPROOF
10	770216	1	GUARD, TIP
11A	770217	1	KIT, BLADE ASSEMBLY, NA (Incl. Ref. 89 through 92)
11C	770461	1	KIT, BLADE ASSEMBLY, EU (Incl. Ref. 89 through 92)
89	----	1	SLOT, LOCATING
90	----	2	SCREW
91	----	2	GASKET, SPRING
92	----	1	BLADE
12A	770218	1	KIT, HANDLE & GUARD ASSEMBLY, NA (Incl. Ref. 99 through 108)
12C	770382	1	KIT, HANDLE & GUARD ASSEMBLY, AU & EU (Incl. Ref. 99 through 108)
99	----	3	SCREW
100	----	1	GUARD, HAND
101	----	8	SCREW
102	----	1	COVER, AUXILIARY HANDLE (DOWN)

Footnotes:



Item	Part No	Qty	Description
103	----	1	COVER, AUXILIARY HANDLE (UP)
104	----	2	CUSHIONING 2
105	----	2	CUSHIONING 1
106	----	2	SCREW
107	----	2	GASKET 5
108	----	2	GASKET, SPRING
13	770219	1	KIT, CONNECTING ROD ASSEMBLY (Incl. Ref. 129 through 135)
129	----	1	GEAR
130	----	1	GASKET
131	----	1	CAM BLOCK
132	----	1	GASKET
133	----	1	RING, LINK
134	----	1	RING, COMPRESSION
135	----	1	CLIP

Not for
Reproduction

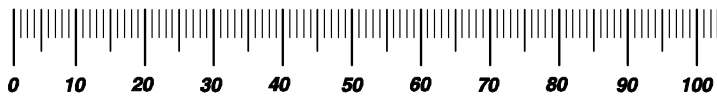
Footnotes:

Hardware Identification & Torque Specifications

Torque Specification Chart								
FOR STANDARD METRIC MACHINE HARDWARE (Tolerance ± 20%)								
Property Class	5.6		8.8		10.9		12.9	
	Class 5.6		Class 8.8		Class 10.9		Class 12.9	
Size Of Hardware	in/lbs		in/lbs		in/lbs		in/lbs	
	ft/lbs	Nm.	ft/lbs	Nm.	ft/lbs	Nm.	ft/lbs	Nm.
M3	5.88	.56	13.44	1.28	19.2	1.80	22.92	2.15
M4	13.44	1.28	30.72	2.90	43.44	4.10	52.56	4.95
M5	26.4	2.50	60.96	5.75	5.97	8.10	7.15	9.7
M6	44.64	4.3	7.3	9.9	10.3	14	12.1	16.5
M7	5.2	7.1	12.1	16.5	16.9	23	19.9	27
M8	7.7	10.5	17.7	24	25	34	29	40
M10	15	21	35	48	50	67	59	81
M12	26	36	61	83	86.2	117	103	140
M14	42	58	101	132	136	185	162	220
M16	64	88	147	200	210	285	250	340
M18	89	121	202	275	287	390	346	470
M20	126	171	290	390	405	550	486	660
M22	169	230	390	530	559	745	656	890
M24	217	295	497	375	708	960	840	1140
M27	320	435	733	995	1032	1400	1239	1680
M30	435	590	995	1350	1401	1900	1681	2280
M33	590	800	1349	1830	1902	2580	2278	3090
M36	759	1030	1740	2360	2441	3310	2935	3980
M39	988	1340	2249	3050	3163	4290	3798	5150

Torque Specification Chart						
FOR STANDARD MACHINE HARDWARE (Tolerance ± 20%)						
Hardware Grade	No Marks		SAE Grade 5		SAE Grade 8	
	SAE Grade 2		SAE Grade 5		SAE Grade 8	
Size Of Hardware	in/lbs		in/lbs		in/lbs	
	ft/lbs	Nm.	ft/lbs	Nm.	ft/lbs	Nm.
8-32	19	2.1	30	3.4	41	4.6
8-36	20	2.3	31	3.5	43	4.9
10-24	27	3.1	43	4.9	60	6.8
10-32	31	3.5	49	5.5	68	7.7
1/4-20	66	7.6	8	10.9	12	16.3
1/4-28	76	8.6	10	13.6	14	19.0
5/16-18	11	15.0	17	23.1	25	34.0
5/16-24	12	16.3	19	25.8	29	34.0
3/8-16	20	27.2	30	40.8	45	61.2
3/8-24	23	31.3	35	47.6	50	68.0
7/16-14	30	40.8	50	68.0	70	95.2
7/16-20	35	47.6	55	74.8	80	108.8
1/2-13	50	68.0	75	102.0	110	149.6
1/2-20	55	74.8	90	122.4	120	163.2
9/16-12	65	88.4	110	149.6	150	204.0
9/16-18	75	102.0	120	163.2	170	231.2
5/8-11	90	122.4	150	204.0	220	299.2
5/8-18	100	136	180	244.8	240	326.4
3/4-10	160	217.6	260	353.6	386	525.0
3/4-16	180	244.8	300	408.0	420	571.2
7/8-9	140	190.4	400	544.0	600	816.0
7/8-14	155	210.8	440	598.4	660	897.6
1-8	220	299.2	580	788.8	900	1,244.0
1-12	240	326.4	640	870.4	1,000	1,360.0

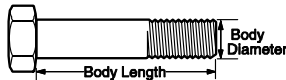
The guides and ruler furnished below are designed to help you select the appropriate hardware.



Nut, M8

Thread Diameter (mm)
Inside Diameter (in) Threads per inch

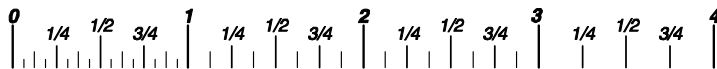
Nut, 1/2-16



Screw, M8- 1.25 x 25

Thread Diameter (mm) Distance between threads (mm) Body Length (mm)
Body Diameter Threads per inch Body Length (in)

Screw, 1/2- 16 x 2



Standard Hardware Sizing

When a washer or nut is identified as 1/2" (M8), this is the *Nominal size*, meaning the *inside diameter* is 1/2 inch (8mm metric thread diameter); if a second number is present it represents the *threads per inch* (distance between threads).

When bolt or capscrew is identified as 1/2 - 16 x 2" (M8 - 1.25 x 50), this means the *Nominal size*, or body diameter is 1/2 inch (8mm metric thread diameter), the second number, 16, represents the *threads per inch*, (1.25 thread diameter). The final number is the body length of the bolt or screw, 2 inches (50mm).

NOTES

- These torque values are to be used for all hardware excluding: locknuts, self-tapping screws, thread forming screws, sheet metal screws and socket head setscrews.
- Recommended seating torque values for locknuts:
 - for prevailing torque locknuts - use 65% of grade5 torques.
 - for flange whizlock nuts and screws - use 135% of grade 5 torques.
- Unless otherwise noted on assembly drawings, all torque values must meet this specification.

Common Hardware Types

Hex Head Capscrew



Washer



Carriage Bolt



Lockwasher



Hex Nut



Wrench & Fastener Size Guide

1/4" Bolt or Nut Wrench—7/16"	5/16" Bolt or Nut Wrench—1/2"	3/8" Bolt or Nut Wrench—9/16"	7/16" Bolt or Nut Wrench (Bolt)—5/8" Wrench (Nut)—11/16"	1/2" Bolt or Nut Wrench—3/4"
M6 Bolt or Nut Wrench—10mm	M8 Bolt or Nut Wrench—13mm	M10 Bolt or Nut Wrench—17mm	M12 Bolt or Nut Wrench—19mm	M14 Bolt or Nut Wrench—22mm

Parts Manual for

SNAPPER®

82 VOLT BATTERY POWERED 30.6" HEDGE TRIMMER

Not for
Reproduction

IT IS THE POLICY OF BRIGGS & STRATTON CORP TO IMPROVE ITS PRODUCTS WHENEVER IT IS POSSIBLE AND PRACTICAL TO DO SO. WE RESERVE THE RIGHT TO MAKE CHANGES OR ADD IMPROVEMENTS AT ANY TIME WITHOUT INCURRING ANY OBLIGATION TO MAKE SUCH CHANGES ON PRODUCTS

Briggs & Stratton Yard Power Products Group

3515 N. 124 Street / PO Box 702
Wauwatosa, WI 53222 U.S.A.
800-935-2967

www.snapper.com

Copyright © 2016 Briggs & Stratton Corporation
Milwaukee, WI USA. All Rights Reserved

Manual No. 1760805
Revision: - 8/30/2016